

Service Manual

Compact Disc Changer

Compact Disc Player

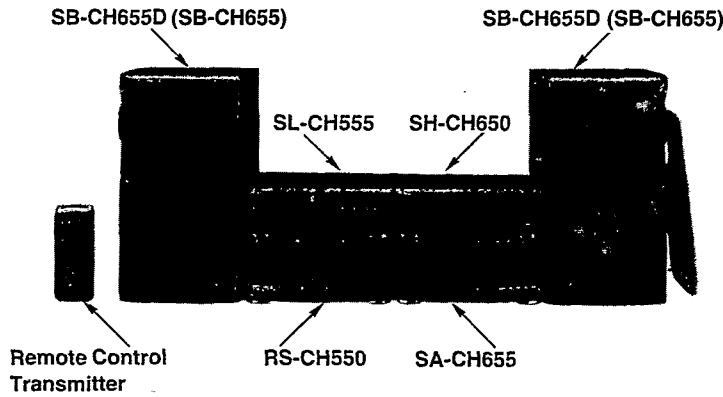
SL-CH555

COMPACT
disc
DIGITAL AUDIO

MASH*
multi-stage noise shaping

Colour

(K) Black Type



Area

Suffix for Model No.	Area	Colour
(E)	Europe, Asia, Latin America, Middle Near East, Africa and Oceania	(K)

System: **SC-CH655**

Note:

On the above picture, Model No. SB-CH655D is printed as the system speaker. The surround speakers are not supplied with model No. SB-CH655.

Because of unique interconnecting cables, when a component requires service, send or bring in the entire system.

SL-CH550 TRAVERSE DECK SERIES (RAE0111Z)

SPECIFICATIONS (DIN 45 500)

■ AUDIO	
DA converter	1 bit 2 DAC MASH
■ PICKUP	
Wavelength	780 nm
Laser power	No hazardous radiation is emitted (with safety protection)
■ GENERAL	
Dimensions (W×H×D)	270×89.5×315 mm
Weight	2.9 kg

Notes:

- Specifications are subject to change without notice. Weight and dimensions are approximate.

*

- Technics (or Panasonic) developed the world's first MASH type DAC and ADC. MASH technology was invented by NTT (LSI Labs).
- MASH is a trademark of NTT.

System	Sound Processor	Tuner Amplifier	Compact Disc Changer	Cassette Deck	Speakers
SC-CH655	SH-CH650	SA-CH655	SL-CH555	RS-CH550	SB-CH655...Europe (Made in PAES)
					SB-CH655D...Asia, Latin America, Middle Near East, Africa and Oceania

Technics

CONTENTS

	Page
● HANDLING PRECAUTIONS FOR TRAVERSE DECK	2
● PRECAUTION OF LASER DIODE	2, 3
● LOCATION OF CONTROLS	3, 4
● DISASSEMBLY INSTRUCTIONS	5~13
● HOW TO CHECK THE SERVO AND MAIN P.C.B.	14, 15
● NEW DIGITAL SERVO CIRCUIT	15
● SCHEMATIC DIAGRAM	16~22
● PRINTED CIRCUIT BOARD DIAGRAM	23~25
● WIRING CONNECTION DIAGRAM	26
● TROUBLESHOOTING GUIDE	27, 28

	Page
● MEASUREMENTS AND ADJUSTMENTS	29, 30
● DISPLAY FUNCTION OF AUTOMATICALLY-ADJUSTED RESULTS	31
● NEW DIGITAL SERVO CIRCUIT	32
● FUNCTION OF IC TERMINALS	33~36
● BLOCK DIAGRAM	37~40
● REPLACEMENT PARTS LIST	41~43, 47
● CABINET PARTS LOCATION	44, 45
● LOADING UNIT PARTS LOCATION	46

HANDLING PRECAUTIONS FOR TRAVERSE DECK

The laser diode in the traverse deck (optical pickup) may break down due to potential difference caused by static electricity of clothes or human body.

So, be careful of electrostatic breakdown during repair of the traverse deck (optical pickup).

Handling of traverse deck (optical pickup)

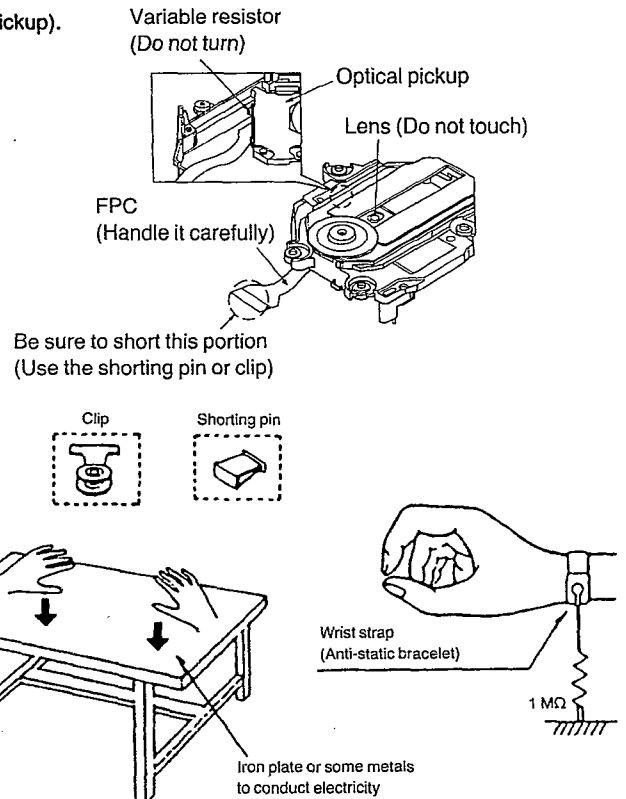
1. Do not subject the traverse deck (optical pickup) to static electricity as it is extremely sensitive to electrical shock.
2. To prevent the breakdown of the laser diode, an anti-static shorting pin is inserted into the flexible board (FPC board). When removing or connecting the short pin, finish the job in as short time as possible.
3. Take care not to apply excessive stress to the flexible board (FPC board).
4. Do not turn the variable resistor (laser power adjustment). It has already been adjusted.

Grounding for electrostatic breakdown prevention

1. **Human body grounding**
Use the anti-static wrist strap to discharge the static electricity from your body.
2. **Work table grounding**
Put a conductive material (sheet) or steel sheet on the area where the traverse deck (optical pickup) is placed, and ground the sheet.

Caution:

The static electricity of your clothes will not be grounded through the wrist strap. So, take care not to let your clothes touch the traverse deck (optical pickup).



PRECAUTION OF LASER DIODE

CAUTION: This product utilizes a laser diode with the unit turned "on", invisible laser radiation is emitted from the pick up lens.

Wave length: 780 nm

Maximum output radiation power from pick up: 100 μ W/VDE

Laser radiation from the pick up unit is safety level, but be sure the followings:

1. Do not disassemble the optical pick up unit, since radiation from exposed laser diode is dangerous.
2. Do not adjust the variable resistor on the pickup unit. It was already adjusted.
3. Do not look at the focus lens using optical instruments.
4. Recommend not to look at pick up lens for a long time.

ACHTUNG: Dieses produkt enthält eine laserdiode. Im eingeschalteten zustand wird unsichtbare laserstrahlung von der lasereinheit abgestrahlt.

Wellenlänge: 780 nm

Maximale strahlungsleistung der lasereinheit: 100 μ W/VDE

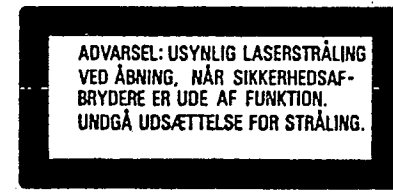
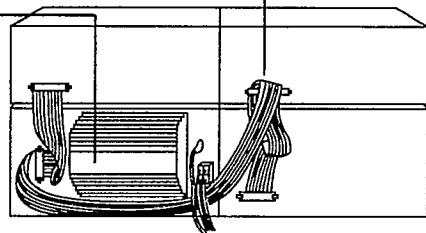
Die strahlung an der lasereinheit ist ungefährlich, wenn folgende punkte beachtet werden:

1. Die lasereinheit nicht zerlegen, da die strahlung an der freigelegten laserdiode gefährlich ist.
2. Den werksseitig justierten einstellregler der lasereinheit nicht verstellen.
3. Nicht mit optischen instrumenten in die fokussierlinse blicken.
4. Nicht über längere zeit in die fokussierlinse blicken.



LUOKAN 1 LASERLAITE
KLASS 1 LASER APPARAT

Heat prevention
cover



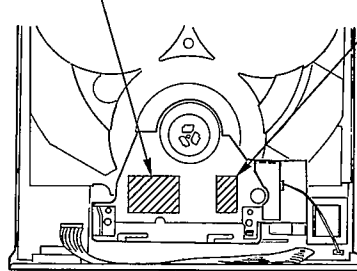
VORSICHT-Unsichtbare
Laserstrahlung, wenn
Abdeckung geöffnet.
Nicht dem Strahl
aussetzen. NO.52021

DANGER-Invisible
laser radiation when
open.
AVOID DIRECT EX-
POSURE TO BEAM.

VARO! Avottaessa ja
aujojkitus ohitettaessa
olet alttina näkymätön
lasersäteilylle.
Älä katso säteeseen.

VARO! Osynlig
laserstråling når denna
del är öppnad och
spårren är urkopplad.
Betrakta ej strålen.

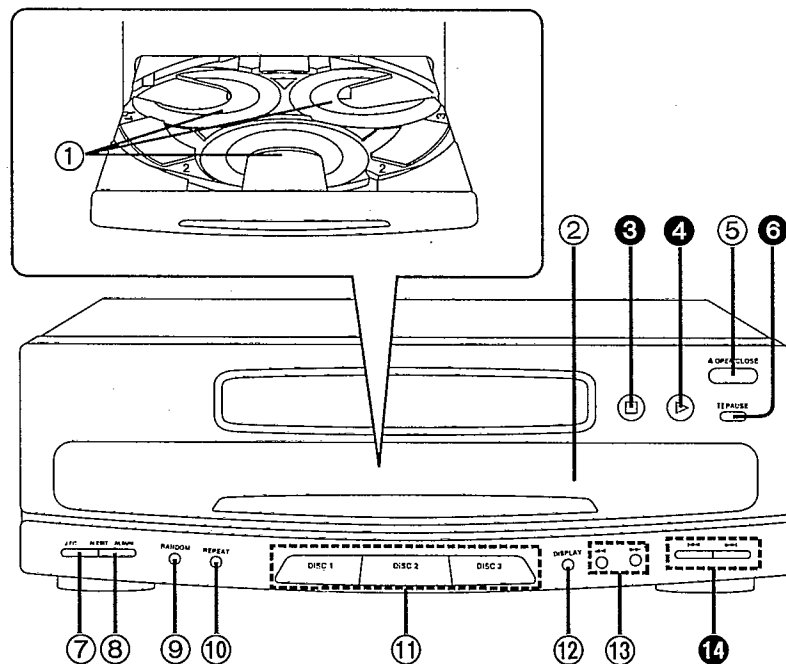
ADVERSEL! Usynlig
laserstråling når deksel
åpnes og sikkerheds-
brytes. Unngå
eksposering for strålen.



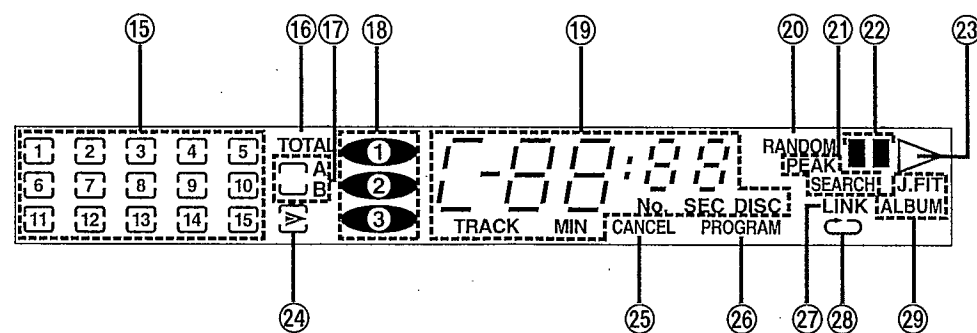
NOTE:

Refer to the service manual for Model No. SA-CH655 (Order No. AD9302059C8) for information on "ACCESSORIES", "STACKING THE COMPONENTS", "CONNECTIONS" and "PACKAGING".

LOCATION OF CONTROLS



Display section



Note:

The functions indicated by the numbers with black background (for example ⑨) can also be activated from the remote control.

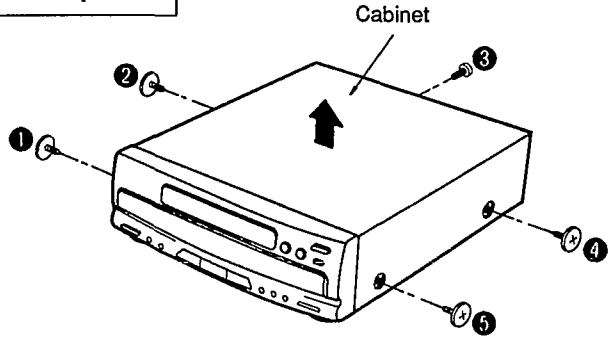
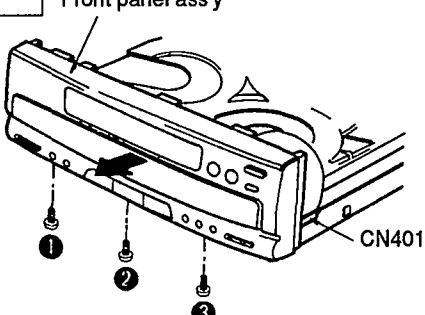
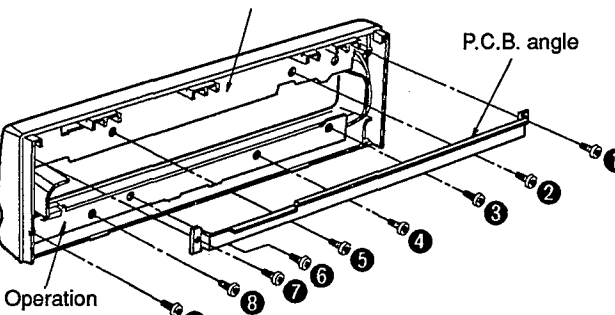
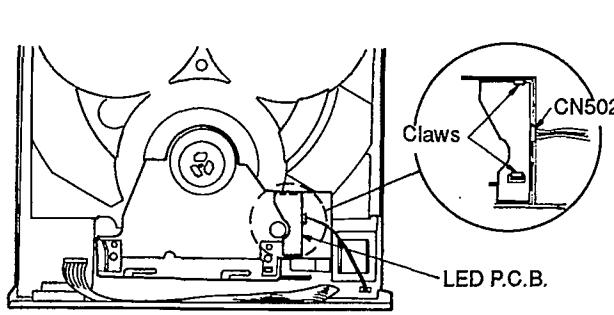
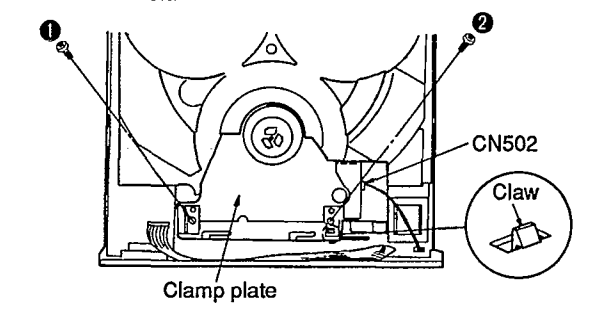
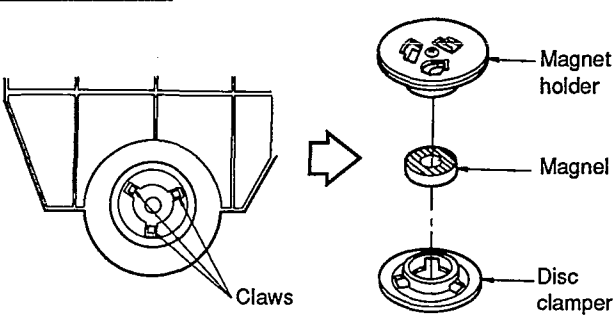
- ① **Disc trays (1-3)**
You can load up to three discs; one disc per one tray.
- ② **Loading drawer**
You can load and unload discs when this drawer is open.
- ③ **Stop button (□)**
Press to stop the disc play.
- ④ **Play button (▷)**
Press to start the disc play.
- ⑤ **Loading drawer open/close button (▲ OPEN/CLOSE)**
Press to open or close the loading drawer.
If you press this button while the play indicator is lit, the drawer will open to half position.
- ⑥ **Pause button (⏸ PAUSE)**
Press to stop the disc play temporarily.
- ⑦ **Fit edit button (J.FIT)**
Press to activate the fit edit mode of the edit-recording.
- ⑧ **Sequential CD recording button (ALBUM)**
Press to activate the sequential CD recording mode of the edit-recording.
- ⑨ **Random play button (RANDOM)**
Press to play the disc's tracks in random order.
- ⑩ **Repeat button (REPEAT)**
Press to activate the repeat mode.
- ⑪ **Disc buttons (DISC 1-3)**
Press to select the desired disc.
- ⑫ **Display button (DISPLAY)**
Press to change the display.
- ⑬ **Search buttons (◀◀, ▶▶)**
Press to hear disc sound at high speed while searching in the play mode.
- ⑭ **Skip buttons (◀◀, ▶▶)**
Press to move forward or backward through the tracks on a disc.

Display section

- ⑮ **Matrix display**
Shows the total number of tracks on a disc, the current playing track to flash and the tracks edited on side A and B.
- ⑯ **Total track indicator (TOTAL)**
Lights to show the total number of tracks edited on side A and B when you use the edit-recording function of compact disc.
- ⑰ **Tape side indicator (A, B)**
Shows which side of the cassette tape (A or B) will be recorded on when you use the edit-recording function of compact disc.
- ⑱ **Disc indicators (① ~ ③)**
Flashes to show which disc is in play.
- ⑲ **Multi-display**
Shows the total playing time on the disc, elapsed play time of the current track, the number of tracks, current playing or recording track number, the number of programmed tracks and disc number.
- ⑲ **Random play indicator (RANDOM)**
Lights during the random play mode of the compact disc.
- ⑲ **Peak search indicator (PEAK SEARCH)**
In the edit-recording mode, lights when the compact disc changer is automatically scanning the peak level on a disc. When peak search ends, "PEAK" flashes to indicate the peak level of the compact disc.
- ⑳ **Pause indicator (⏸)**
Lights when you press the pause button to stop the disc play temporarily.
- ㉑ **Play indicator (▷)**
Lights when compact disc is in play.
- ㉒ **Over indicator (▶▶)**
Lights if there are 16 or more tracks on the disc.
- ㉓ **Program cancel indicator (CANCEL)**
Lights when you cancel the programmed tracks.
- ㉔ **Program indicator (PROGRAM)**
Lights during the program play mode of compact disc.
- ㉕ **Link indicator (LINK)**
Flashes to show the disc link is possible when you use the edit-recording function of compact disc.
- ㉖ **Repeat play indicator (⏮)**
Lights during the repeat play mode of the compact disc.
- ㉗ **Edit mode indicators (J.FIT, ALBUM)**
J.FIT: Lights when you activate the fit edit mode.
ALBUM: Lights when you activate the sequential CD recording edit mode.

DISASSEMBLY INSTRUCTIONS

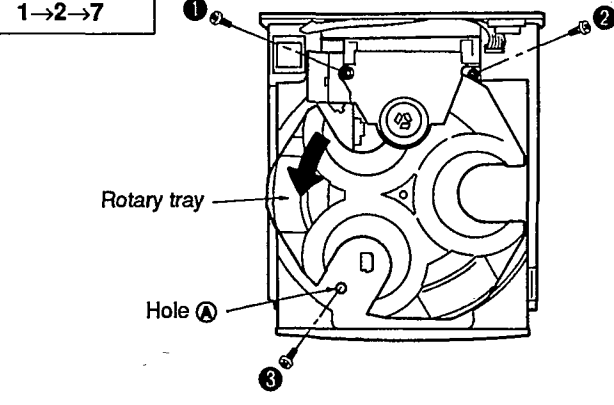
Warning: This product uses a laser diode. Refer to caution statements on page 2.
ACHTUNG: Die Lasereinheit nicht zerlegen.
 Die Lasereinheit darf nur gegen eine vom Hersteller speziferte Einheit ausgetauscht werden.
"ATTENTION SERVICER" Some chassis components may have sharp edges. Be careful when disassembling and servicing.

<p>Ref. No. 1</p> <p>Removal of the Cabinet</p>	<p>Ref. No. 2</p> <p>Removal of the Front Panel Ass'y</p>
<p>Procedure 1</p>  <p>1. Remove the 5 screws (1~5). 2. Remove the cabinet in the direction of arrow.</p>	<p>Procedure 1→2</p>  <p>1. Remove the 3 screws (1~3). 2. Remove the 1 connector (CN401). 3. Remove the front panel ass'y in the direction of arrow.</p>
<p>Ref. No. 3</p> <p>Removal of the Operation P.C.B. and FL P.C.B.</p>	<p>Ref. No. 4</p> <p>Removal of the LED P.C.B.</p>
<p>Procedure 1→2→3</p>  <p>1. Remove the 9 screws (1~9). 2. Remove the P.C.B. angle.</p>	<p>Procedure 1→4</p>  <p>1. Remove the 1 connector (CN502). 2. Release the 2 claws.</p>
<p>Ref. No. 5</p> <p>Removal of the Clamp Plate</p>	<p>Ref. No. 6</p> <p>Removal of the Magnet Holder, Magnet and Disc Clamper</p>
<p>Procedure 1→5</p>  <p>1. Remove the 1 connector (CN502). 2. Remove the 2 screws (1~2). 3. Release the 1 claw.</p>	<p>Procedure 1→5→6</p>  <p>●Release the 3 claws.</p>

Ref. No. 7

Removal of the Tray Ass'y And Loading Unit

Procedure 1→2→7

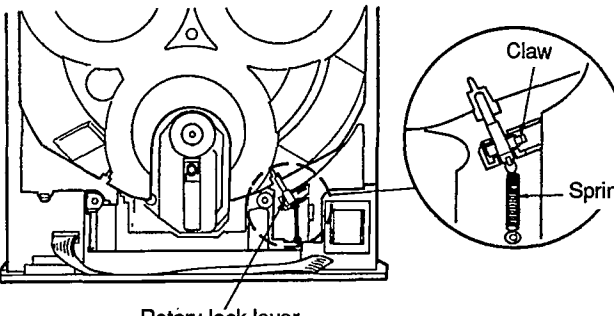


1. Remove the 2 screws (1, 2).
 2. Rotate the rotary tray to the position that can be confirmed the hole A.
 3. Remove the 1 screw (3).

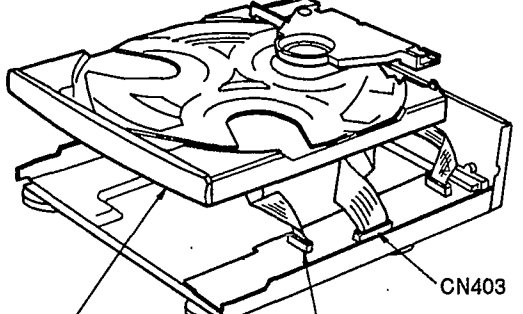
Ref. No. 8

Removal of the Rotary Lock Lever

Procedure 1→5→8



1. Remove the spring.
 2. Release the claw.

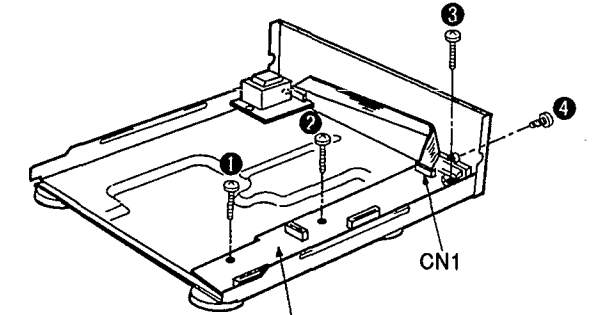


7. Lift up the tray ass'y and the loading unit and then remove the 2 connectors (CN403, CN404).

Ref. No. 9

Removal of the Main P.C.B.

Procedure 1→2→7→9

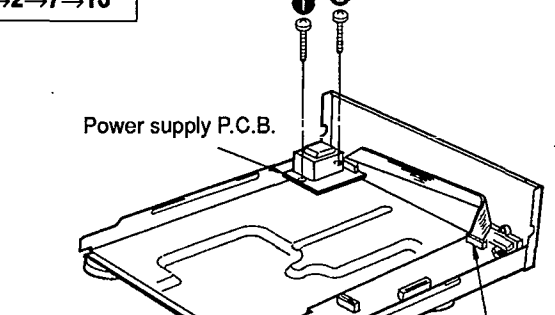


1. Remove the 1 connector (CN1).
 2. Remove the 4 screws (1~4).

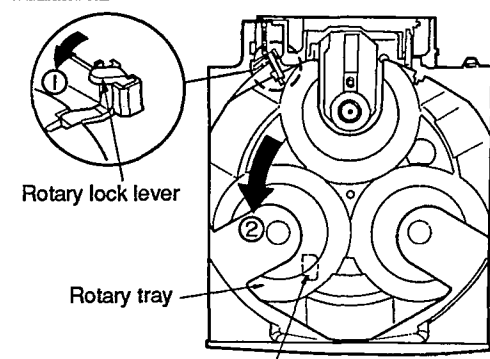
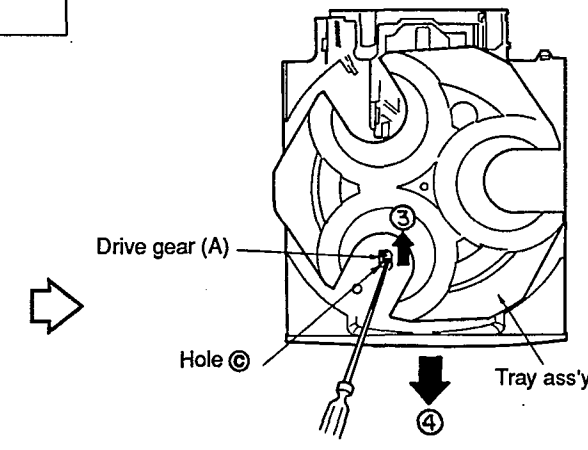
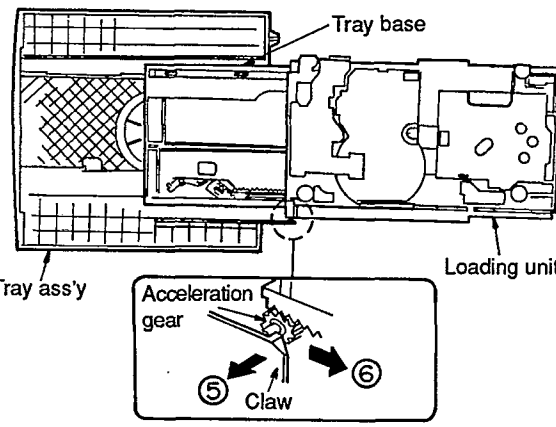
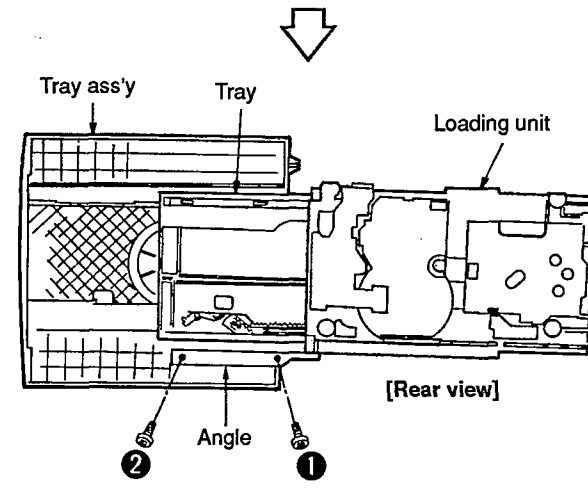
Ref. No. 10

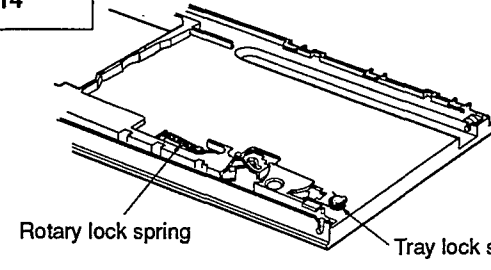
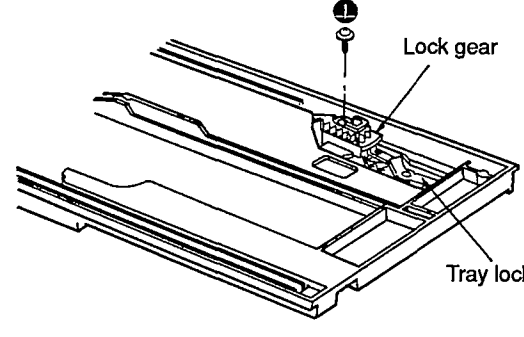
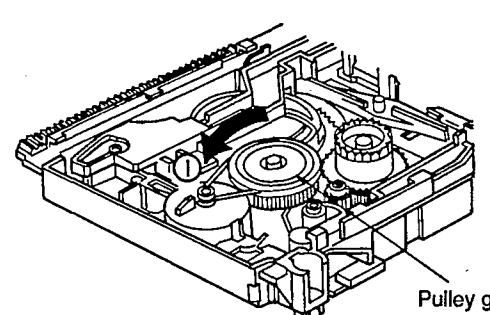
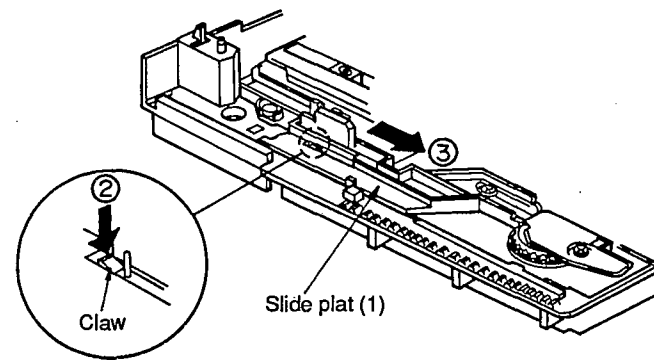
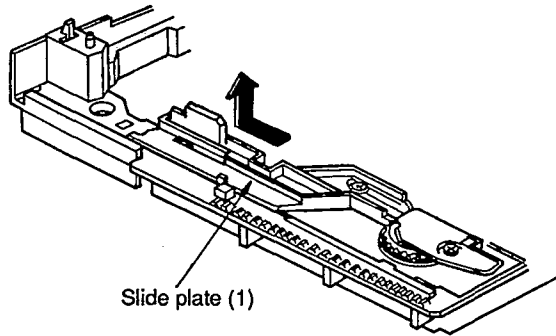
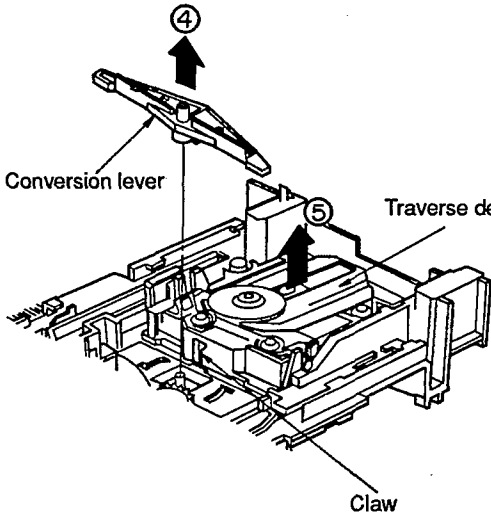
Removal of the Power Supply P.C.B.

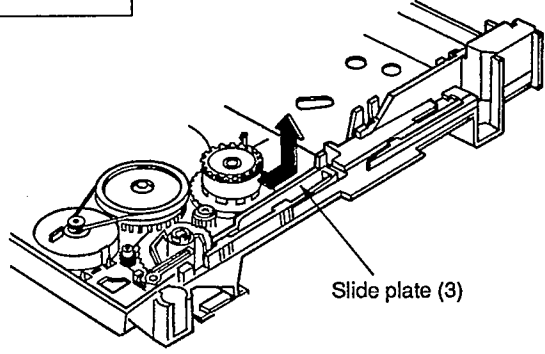
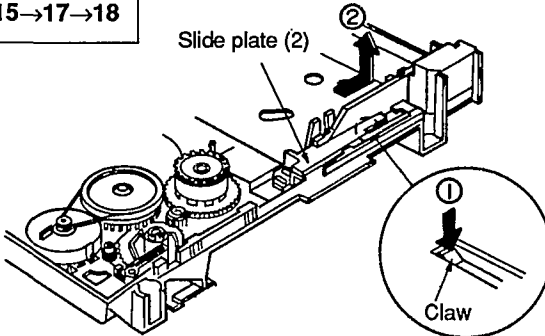
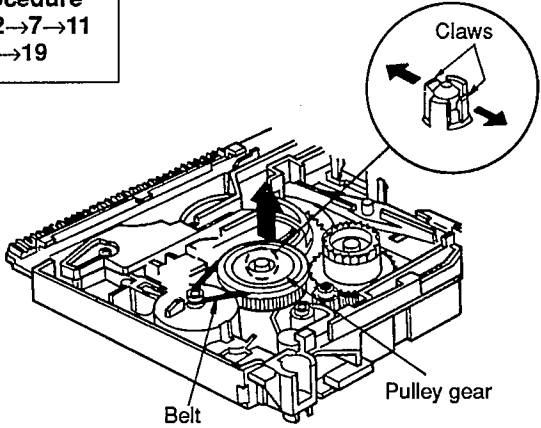
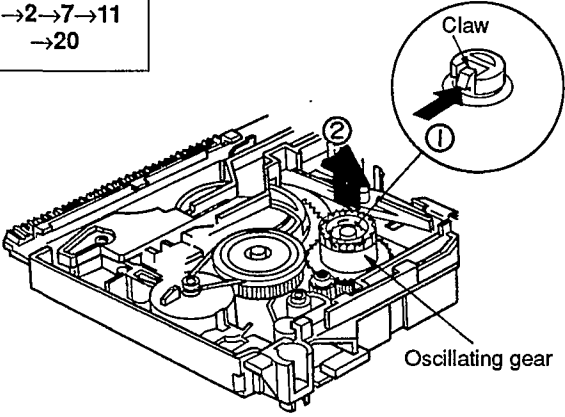
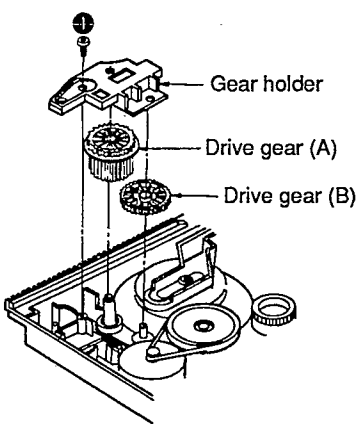
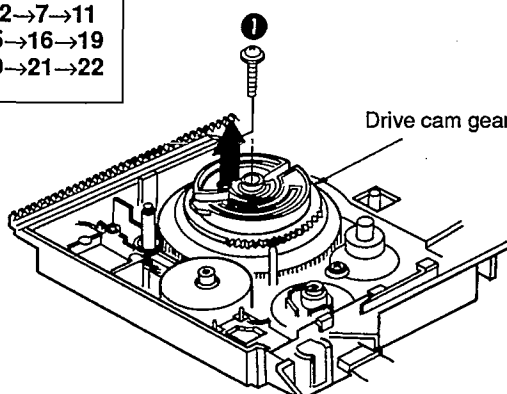
Procedure 1→2→7→10

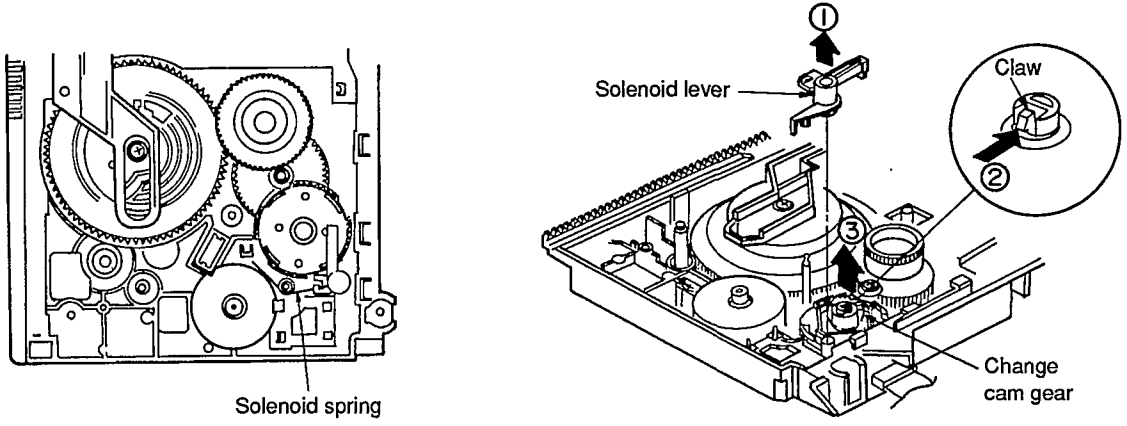
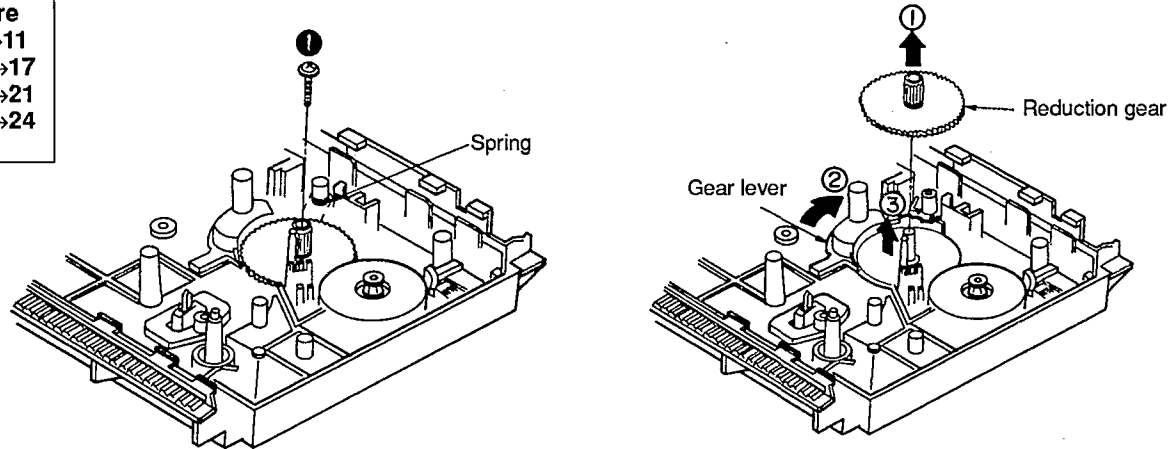
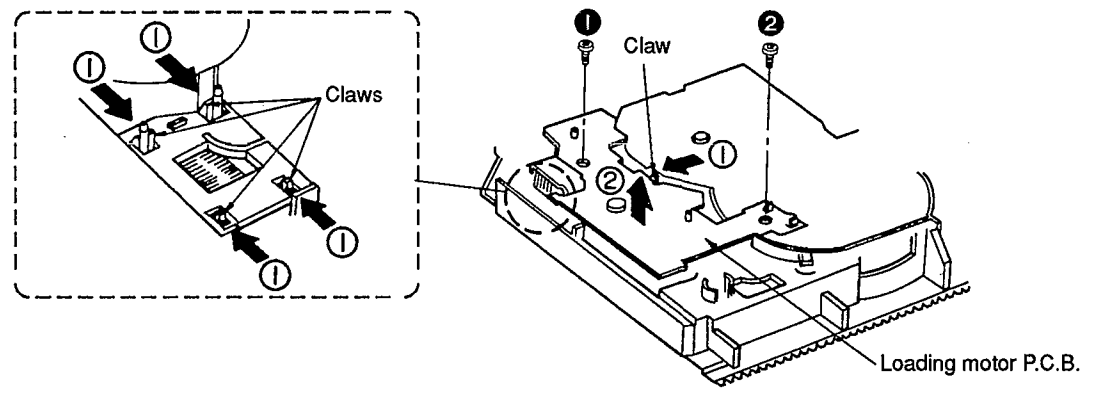


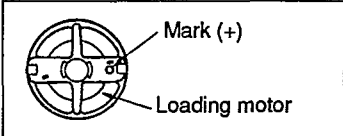
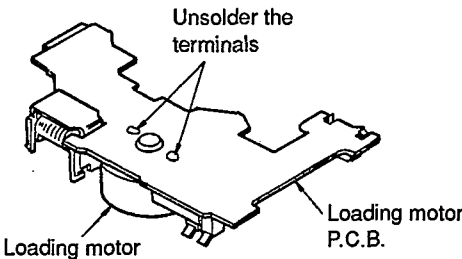
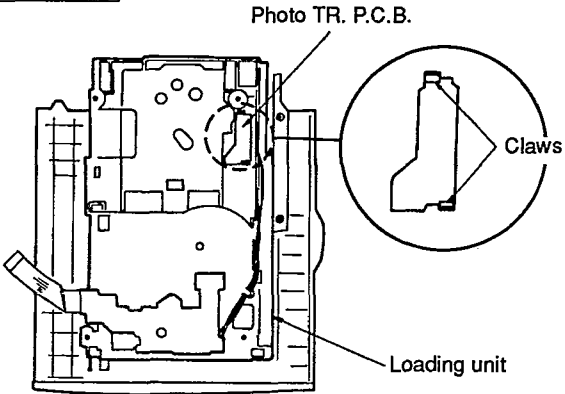
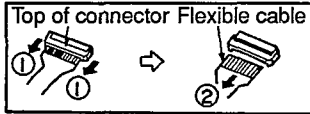
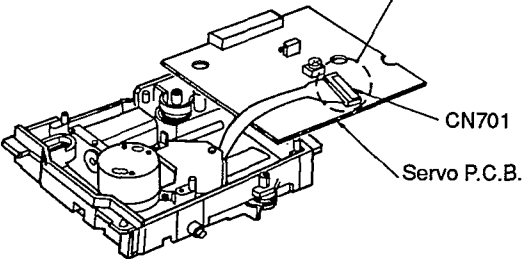
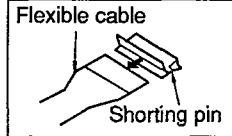
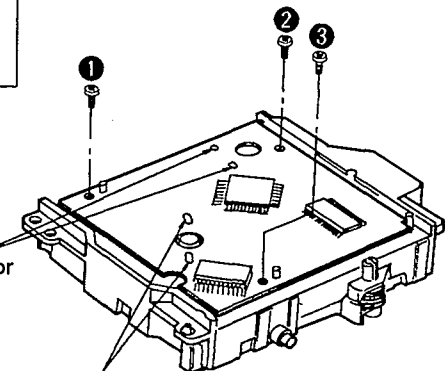
1. Remove the 1 connector (CN1).
 2. Remove the 2 screws (1, 2).

<p>Ref. No. 11 Removal of the Loading Unit and Tray Base</p> <p>Procedure 1→2→5→7→11</p>  <p>Rotary lock lever Rotary tray Hole ③</p> <p>1. While pressing the rotary lock lever in the direction of arrow ① and then rotate the rotary tray to the position that can be confirmed the hole ③ in the direction of arrow ②.</p>  <p>Drive gear (A) Hole ③ Tray ass'y</p> <p>2. Pressing the drive gear (A) in the direction of arrow ③ with inserting the (-) screwdriver in the hole ③, the tray ass'y moves slightly in the direction of arrow ④. Then, pull the tray ass'y in the direction of arrow ④.</p>  <p>Tray base Tray ass'y Loading unit Acceleration gear Claw</p> <p>5. Release the claw in the direction of arrow ⑤ and then remove the acceleration gear in the direction of arrow ⑥.</p>	<p>Ref. No. 13 Removal of the Angle (A) and Angle (B)</p> <p>Procedure 1→2→7→11→13</p>  <p>Tray ass'y Tray Loading unit Angle Claw</p> <p>3. Remove the 2 screws (①, ②).</p> <p>4. Remove the angle.</p> <p>■ Removal of the angle (A) ● Release the claw and then remove the angle (A) in the direction of arrow ①.</p> <p>■ Removal of the angle (B) ● Release the claw and then remove the angle (B) in the direction of arrow ②.</p>
--	---

<p>Ref. No. 14 Removal of the Tray Lock Lever and Lock Gear</p> <p>Procedure 1→2→7→11→14</p>  <p>Rotary lock spring Tray lock spring</p> <p>1. Remove the rotary lock spring and tray lock spring.</p>  <p>Lock gear Tray lock lever</p> <p>2. Remove the 1 screw (①).</p>	<p>Ref. No. 15 Removal of the Traverse Deck and Conversion Lever</p> <p>Procedure 1→2→7→11→15</p>  <p>Pulley gear</p> <p>1. Rotate the pulley gear to full position in the direction of arrow ①.</p>  <p>Claw Slide plate (1)</p> <p>2. Push the claw in the direction of arrow ②, and then move the slide plate (1) in the direction of arrow ③.</p>
<p>Ref. No. 16 Removal of the Slide Plate (1)</p> <p>Procedure 1→2→7→11→15→16</p>  <p>Slide plate (1)</p> <p>● Remove the slide plate (1) in the direction of arrow.</p>	<p>Ref. No. 16 Removal of the Slide Plate (1)</p> <p>Procedure 1→2→7→11→15→16</p>  <p>Conversion lever Traverse deck Claw</p> <p>3. Remove the conversion lever in the direction of arrow ④.</p> <p>4. Release the claw and then remove the traverse deck in the direction of arrow ⑤.</p>

<p>Ref. No. 17</p>	<p>Removal of the Slide Plate (3)</p>	<p>Ref. No. 18</p>	<p>Removal of the Slide Plate (2)</p>
<p>Procedure 1→2→7→11 →15→17</p>	 <p>Slide plate (3)</p> <p>• Remove the slide plate (3) in the direction of arrow.</p>	<p>Procedure 1→2→7→11 →15→17→18</p>	 <p>Slide plate (2)</p> <p>Claw</p> <p>• Push the claw in the direction of arrow ①, and then remove the slide plate (2) in the direction of arrow ②.</p>
<p>Ref. No. 19</p>	<p>Removal of the Pulley Gear</p>	<p>Ref. No. 20</p>	<p>Removal of the Oscillating Gear</p>
<p>Procedure 1→2→7→11 →19</p>	 <p>Claws</p> <p>Belt</p> <p>Pulley gear</p> <p>1. Remove the belt. 2. Release the 2 claws and then remove the pulley gear in the direction of arrow.</p>	<p>Procedure 1→2→7→11 →20</p>	 <p>Claw</p> <p>Oscillating gear</p> <p>• Release the claw in the direction of arrow ① and then remove the oscillating gear in the direction of arrow ②.</p>
<p>Ref. No. 21</p>	<p>Removal of the Gear Holder, Drive Gear (A) and Drive Gear (B)</p>	<p>Ref. No. 22</p>	<p>Removal of the Drive Cam Gear</p>
<p>Procedure 1→2→7→11 →21</p>	 <p>Gear holder</p> <p>Drive gear (A)</p> <p>Drive gear (B)</p> <p>1. Remove the 1 screw (1). 2. Remove the gear holder, drive gear (A) and drive gear (B).</p>	<p>Procedure 1→2→7→11 →15→16→19 →20→21→22</p>	 <p>Drive cam gear</p> <p>1. Remove the 1 screw (1). 2. Remove the drive cam gear in the direction of arrow.</p>

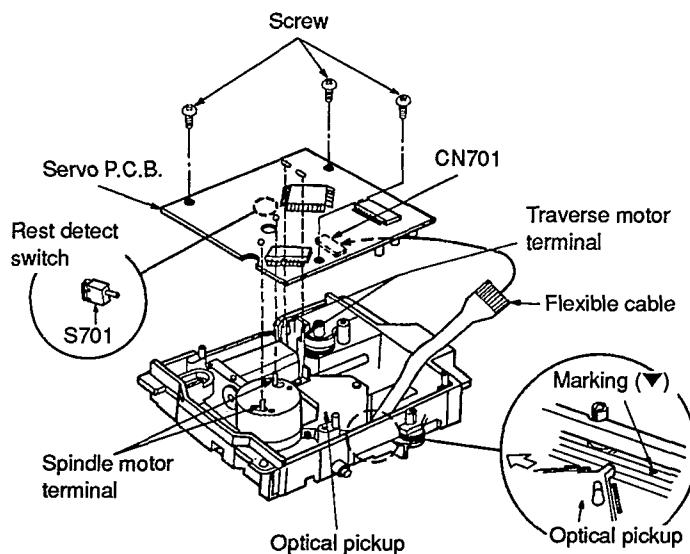
<p>Ref. No. 23</p>	<p>Removal of the Change Cam Gear</p>	 <p>Solenoid spring</p> <p>Solenoid lever</p> <p>Claw</p> <p>Change cam gear</p> <p>1. Remove the solenoid spring and then remove the solenoid lever in the direction of arrow ①. 2. Release the claw in the direction of arrow ② and then remove the change cam gear in the direction of arrow ③.</p>
<p>Ref. No. 24</p>	<p>Removal of the Reduction Gear and Gear Lever</p>	 <p>Spring</p> <p>Reduction gear</p> <p>Gear lever</p> <p>1. Remove the spring. 2. Remove the 1 screw (1). 3. Remove the reduction gear in the direction of arrow ①. 4. Remove the gear lever in the direction of arrow ②, ③.</p>
<p>Ref. No. 25</p>	<p>Removal of the Loading Motor P.C.B.</p>	 <p>Claws</p> <p>Claw</p> <p>Loading motor P.C.B.</p> <p>1. Remove the 2 screws (1, 2). 2. Release the 5 claws in the direction of arrow ①. 3. Remove the loading motor P.C.B. in the direction of arrow ②.</p>

Ref. No. 26	Removal of the Loading Motor	Ref. No. 27	Removal of the Photo TR. P.C.B.
<p>Procedure 1→2→7→11 →15→16→17→18 →19→20→21→22 →23→25→26</p>	 <p>Mark (+) Loading motor</p>  <p>Unsolder the terminals Loading motor Loading motor P.C.B.</p> <ul style="list-style-type: none"> • Unsolder the terminals of the loading motor. 	<p>Procedure 1→2→7→27</p>	 <p>Photo TR. P.C.B. Claws Loading unit</p> <ul style="list-style-type: none"> • Release the 2 claws.
Ref. No. 28	Removal of the Servo P.C.B.	<p>※Push the top of the connector in the direction of arrow ①, and then pull out the flexible cable in the direction of arrow ②.</p>  <p>Top of connector Flexible cable</p>	 <p>CN701 Servo P.C.B.</p> <p>4. Remove the connector (CN701).</p> <p>Note: Insert a shorting pin into the traverse unit flexible cable. (Refer to "handling precautions for traverse deck" on page 2.)</p>  <p>Flexible cable Shorting pin</p>
<p>Procedure 1→2→7→11 →15→28</p>	 <p>Traverse motor terminals (2 points) Spindle motor terminals (2 points)</p> <ol style="list-style-type: none"> 1. Remove the 3 screws (①~③). 2. Unsolder the spindle motor terminals (2 points). 3. Unsolder the traverse motor terminals (2 points). 		

■ INSTALLING SERVO P.C.B.

1. Before installing the servo P.C.B., move the optical pickup toward the outer edge from the mark "▲". [Otherwise, the rest detect switch (S701) mounted on the servo P.C.B. may be damaged.]
2. Connect the flexible cable to the connector (CN701).
3. Install the servo P.C.B. in the traverse deck unit with the three screws.
4. Solder the two terminals of the traverse motor and the two terminals of the spindle motor.

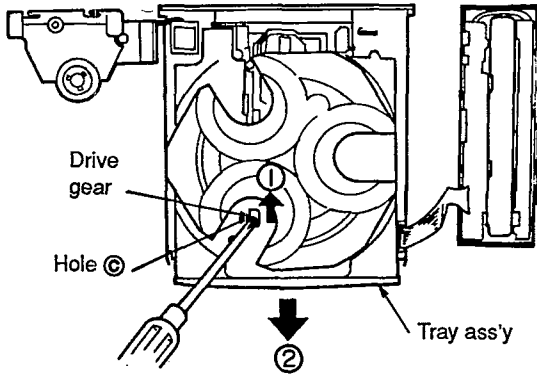
Note: Connect the flexible cable to the connector (CN701) firmly.
Tighten the 3 screws before soldering the terminals.



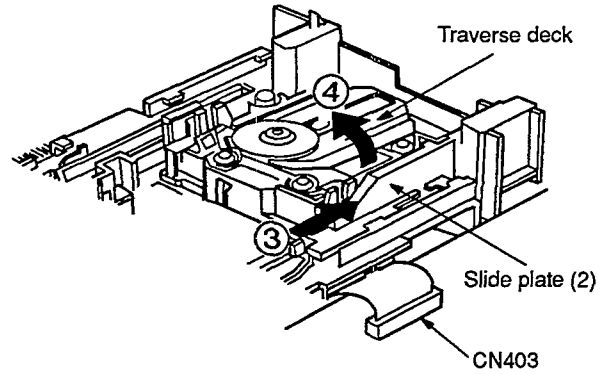
■ HOW TO CHECK THE SERVO AND MAIN P.C.B.

• Check the servo P.C.B.

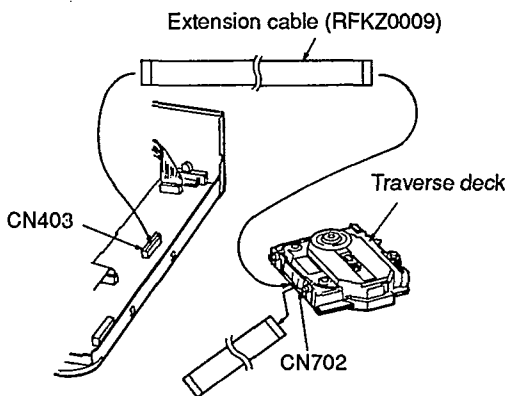
1. Remove the cabinet. (See Ref.No.1 of the disassembly instructions.)
2. Remove the front panel ass'y. (See Ref.No. 2 of the disassembly instructions.)
Note: Take care not to remove the connector (CN 401).
3. Remove the clamp plate. (See Ref.No.5 of the disassembly instructions.)
Note: Take care not to remove the connector (CN 502).
4. Remove the magnet holder, magnet and disc clamber. (See Ref.No.6 of the disassembly instructions.)



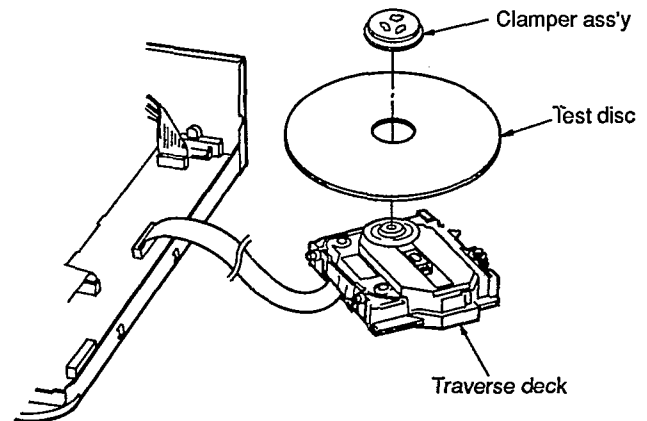
5. Pressing the lock gear in the direction of arrow ① with inserting the (-) screwdriver in the hole (C), the tray ass'y moves slightly in the direction of arrow ②. Then, pull out the tray ass'y in the direction of arrow ②.



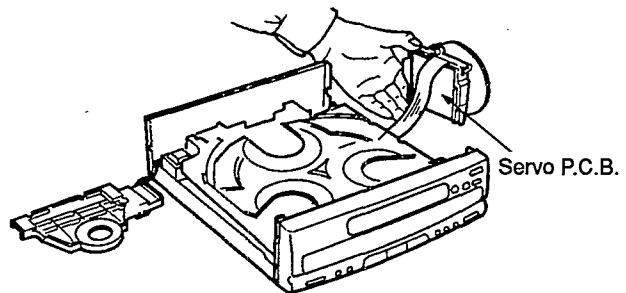
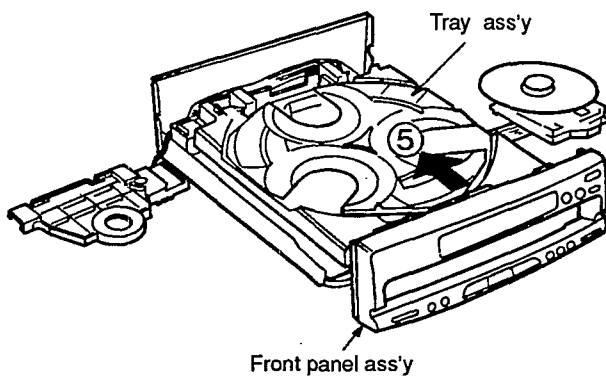
6. Remove the connector (CN403).
7. Pressing the slide plate (2) in the direction of arrow ③, and then remove the traverse deck in the direction of arrow ④.



8. Substitute the serviceable extension cable for the FPC between the connector (CN403) on main P.C.B. and the connector (CN702) on servo P.C.B.



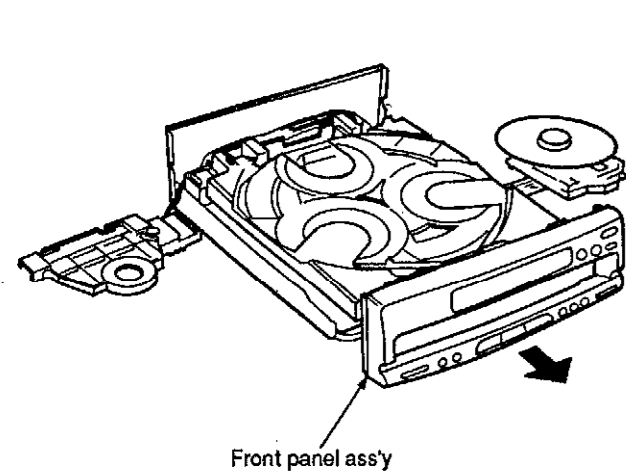
9. Place the test disc and secure it by using the clamber ass'y.



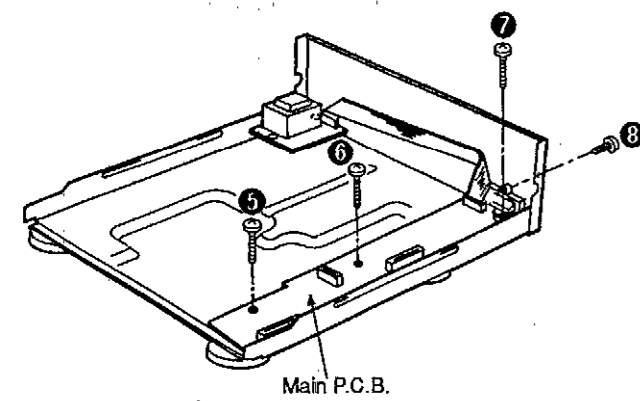
10. Restove the tray ass'y in the direction of arrow ⑤.
11. Reinstall the front panel ass'y to the main unit.

12. When checking the soldered surface of the servo P.C.B., do as shown above.

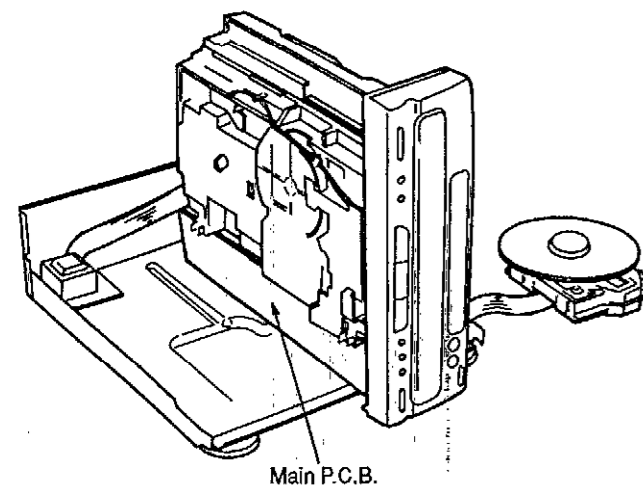
• Check the main P.C.B.



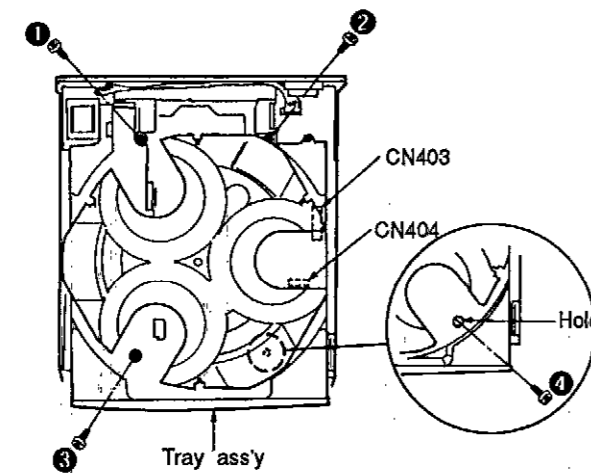
1. After checking the servo P.C.B., remove the front panel ass'y in the direction of arrow.



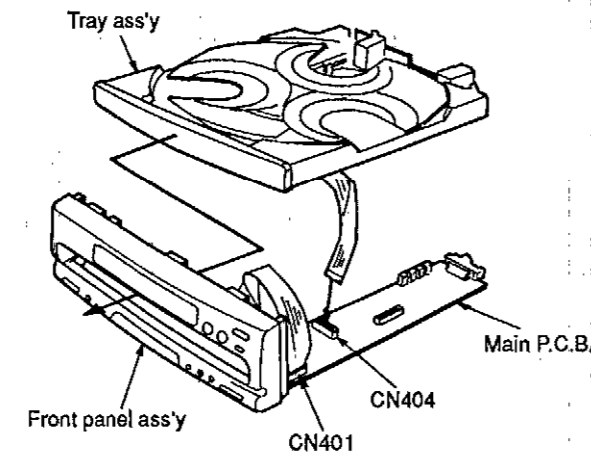
4. Remove the 4 screws (5~8).
5. Remove the main P.C.B.



9. When checking the soldered surface of the main P.C.B., do as shown above.



2. Remove the 4 screws (1~4) and then remove the tray ass'y.
3. Remove the 2 connector (CN403, CN404).



6. Reinstall the front panel ass'y to main P.C.B.
7. Reinstall the tray ass'y to front panel ass'y.
8. Connect the 2 FPC board (CN401, CN404).

■ INSTALLATION OF THE LOADING COMPONENTS

1. Install the gear lever on the loading base and then slide the gear lever in the direction of arrow ①. (See Fig.1.)
2. Install the reduction gear and secure it with a screw. (See Fig.1.)
3. Install the gear lever spring to the boss (A). (See Fig.1.)
4. Install the change cam gear. (See Fig.2.)
Note: Align the tip of the bold arrow marked with "↑" on the change cam gear with the axis of the reduction gear shaft.
5. Install the solenoid lever. (See Fig.3.)
Note: Align the slot of the solenoid lever with the solenoid core.
6. Install the solenoid spring to the boss (B). (See Fig.3.)
7. Align the hole (A) of the drive cam gear with the switch, and then insert the drive cam gear. (See Fig.4.)
8. Secure the drive cam gear with a screw. (See Fig.4.)
Note: In case that the drive cam gear is inserted into the holes except the hole (A) of the drive cam gear, the switch may be damaged.
9. Install the drive gear (B), the drive gear (A), the oscillating gear ass'y and the pulley gear. (See Fig.5)

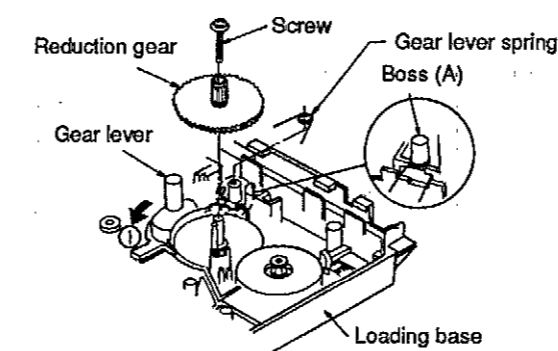


Fig.1

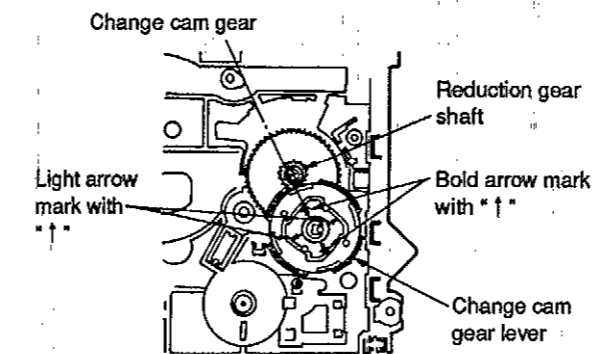


Fig.2

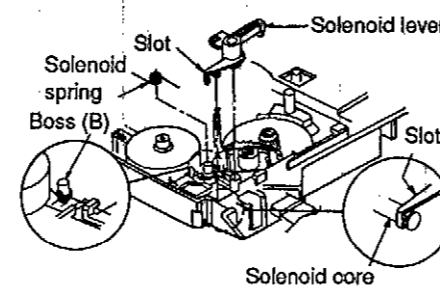


Fig.3

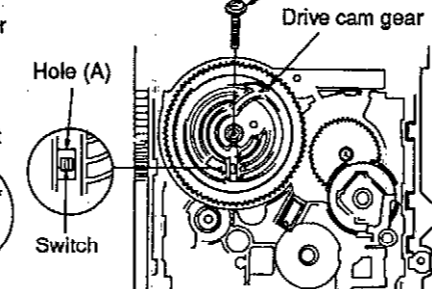


Fig.4

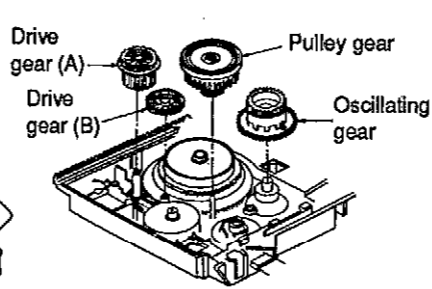


Fig.5

10. Install the gear holder and secure it with a screw. (See Fig.6.)
11. Install the belt. (See Fig.6.)
12. Rotate the pulley gear in the direction of arrow ② and then rotate the pulley gear to full position in the direction of arrow ③ when the oscillating gear stops.
13. Rotate the drive cam gear so that the slot (A) of the drive cam gear is put into a given position as shown in fig. 7.

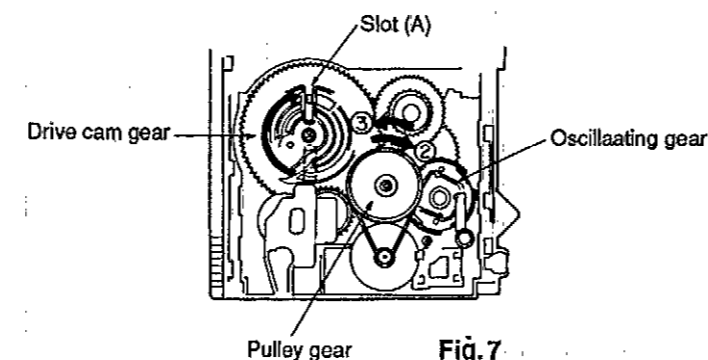


Fig.7

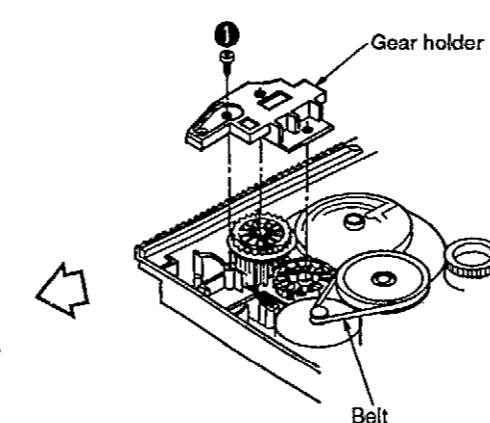


Fig.6

14. Install the slide plate (1), the slide plate (2) and the slide plate (3). (See Fig.8.)
15. Press the claw in the direction of arrow ④ and then slide the slide plate (1) in the loading unit in the direction of arrow ⑤. (See Fig.9.)
16. Install the traverse deck and the conversion lever. (See Fig.9.)
17. Slide the slide plate (1) in the loading unit in the direction of arrow ⑥. (See Fig.10.)
18. Rotate the pulley gear in the direction of arrow ⑦ so that the slot (A) of the drive cam gear is put into a given position as shown in fig.10. (See Fig.10.)

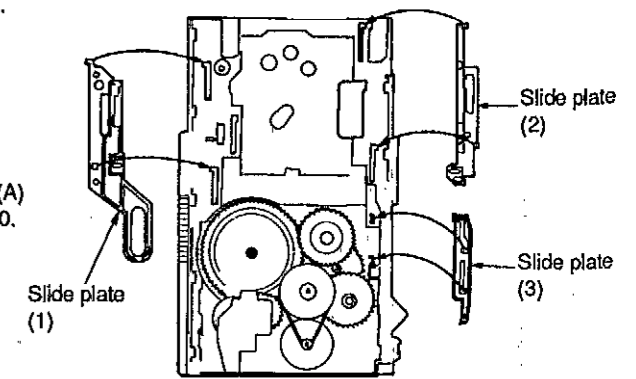


Fig.8

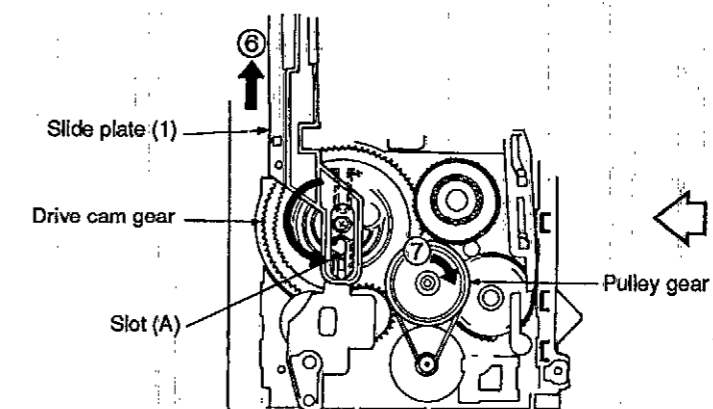


Fig.10

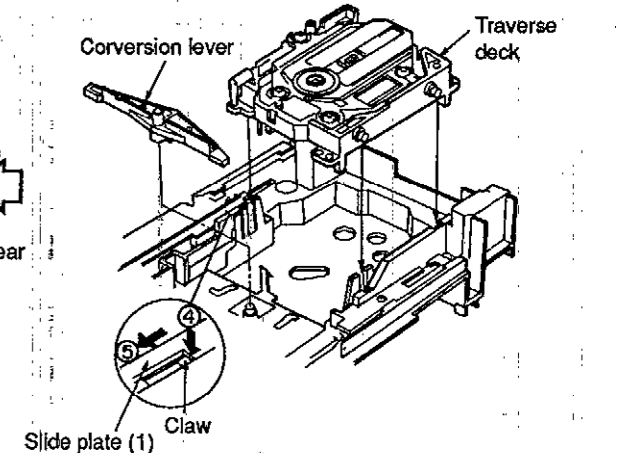


Fig.9

■ INSTALLATION OF THE TRAY BASE AND THE TRAY ASS'Y

1. Install the loading unit on the bottom board ass'y and secure it with 4 screw (1~4). (See Fig. 1.)
2. Install the tray base on the loading unit. (See Fig. 1)
3. After sliding the tray base in the direction of arrow ①, draw the tray base gradually in the direction of arrow ②. (See Fig. 2) Slide the tray base until the tray base stops.
4. Holding the tray base, install the tray ass'y on the tray base and feed the tray ass'y slowly. (See Fig. 3)
5. After engaging the acceleration gear, release the tray base which is held and feed the tray ass'y. (See Fig. 3)

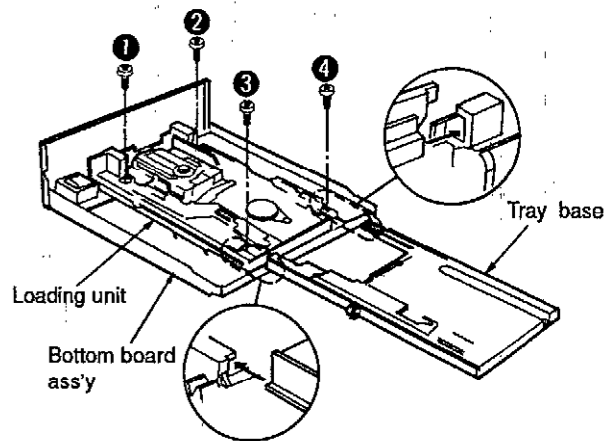


Fig.1

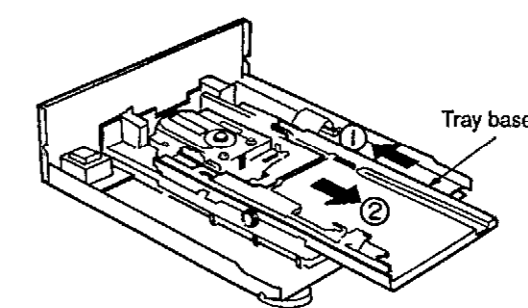


Fig.2

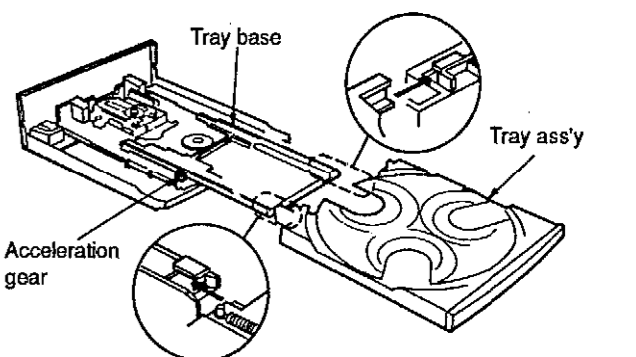
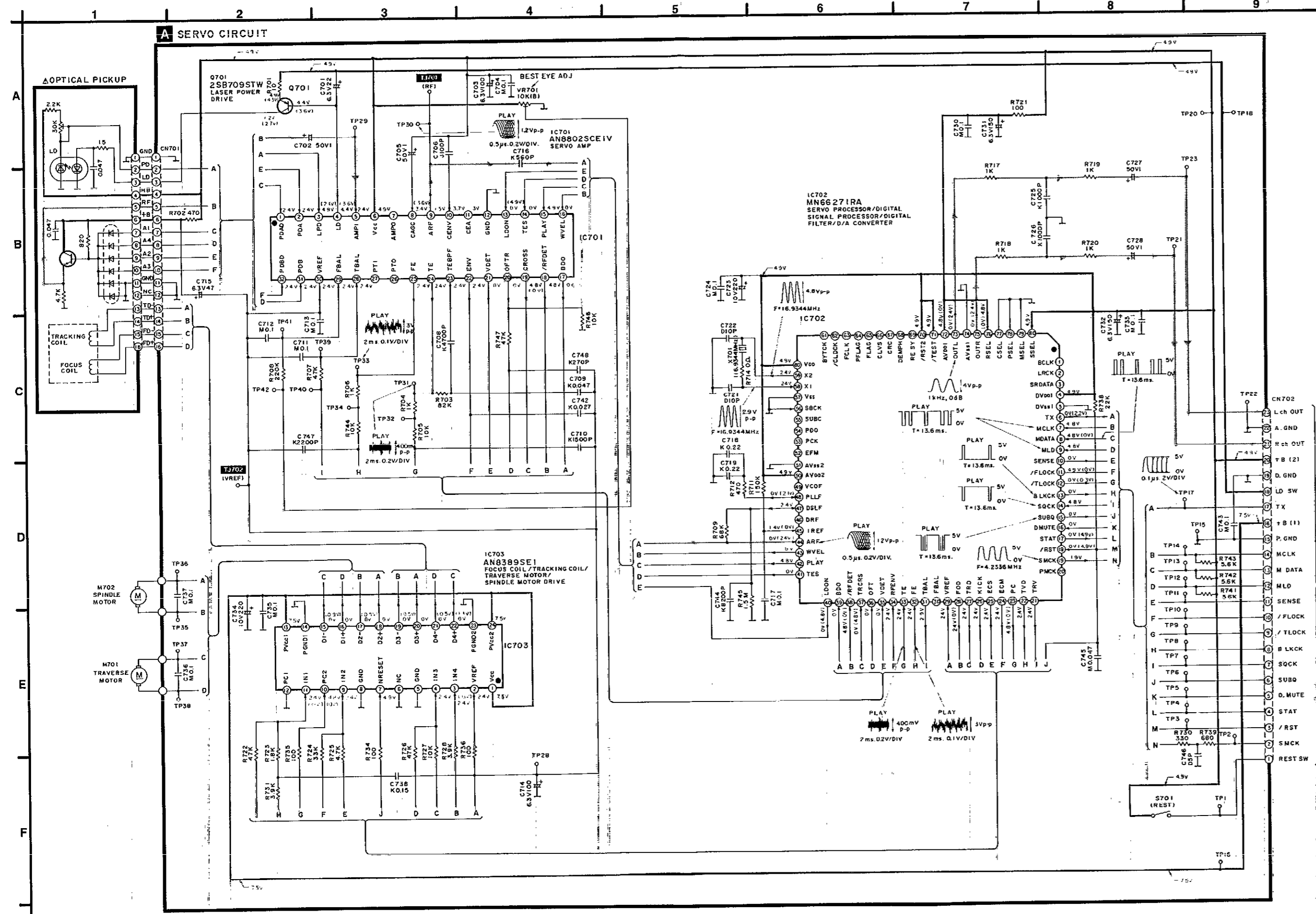


Fig.3

■ SCHEMATIC DIAGRAM • OPTICAL PICKUP AND SERVO CIRCUIT (Parts list on pages 41-43)



- Notes:**
- S501 : Traverse deck position detect switch
 - S502 : Disc tray full open detect switch
 - S503 : Disc tray half open detect switch
 - S601 : Display switch (DISPLAY)
 - S602 : Fit edit switch (J. FIT)
 - S603 : Sequential CD recording switch (ALBUM)
 - S604 : Repeat switch (REPEAT)
 - S605 : Random play switch (RANDOM)
 - S606 : Disc switch (DISC 3)
 - S607 : Disc switch (DISC 2)
 - S608 : Disc switch (DISC 1)
 - S609 : Search switch (◀◀)
 - S610 : Search switch (▶▶)
 - S611 : Skip switch (◀◀)
 - S612 : Skip switch (▶▶)
 - S613 : Pause switch (|| PAUSE)
 - S614 : Play switch (▶)
 - S615 : Stop switch (■)
 - S701 : Rest switch

●Indicated voltage values are the standard values for the unit measured by the DC electronic circuit tester (high-impedance) with the chassis taken as standard. Therefore, there may exist some errors in the voltage values, depending on the internal impedance of the DC circuit tester.

No mark : CD STOP () : CD PLAY (1 kHz, L+R, 0 dB)

●Important safety notice:
Components identified by Δ mark have special characteristics important for safety. Furthermore, special parts which have purposes of fire-retardant (resistors), high-quality sound (capacitors), low-noise (resistors), etc. are used. When replacing any of components, be sure to use only manufacturer's specified parts shown in the parts list.

Caution!
IC and LSI are sensitive to static electricity. Secondary trouble can be prevented by taking care during repair.
●Cover the parts boxes made of plastics with aluminum coil.
●Ground the soldering iron.
●Put a conductive mat on the work table.
●Do not touch the legs of IC or LSI with the fingers directly.

●This schematic diagram may be modified at any time with the development of new technology.

●The supply part number is described alone in the replacement parts list.

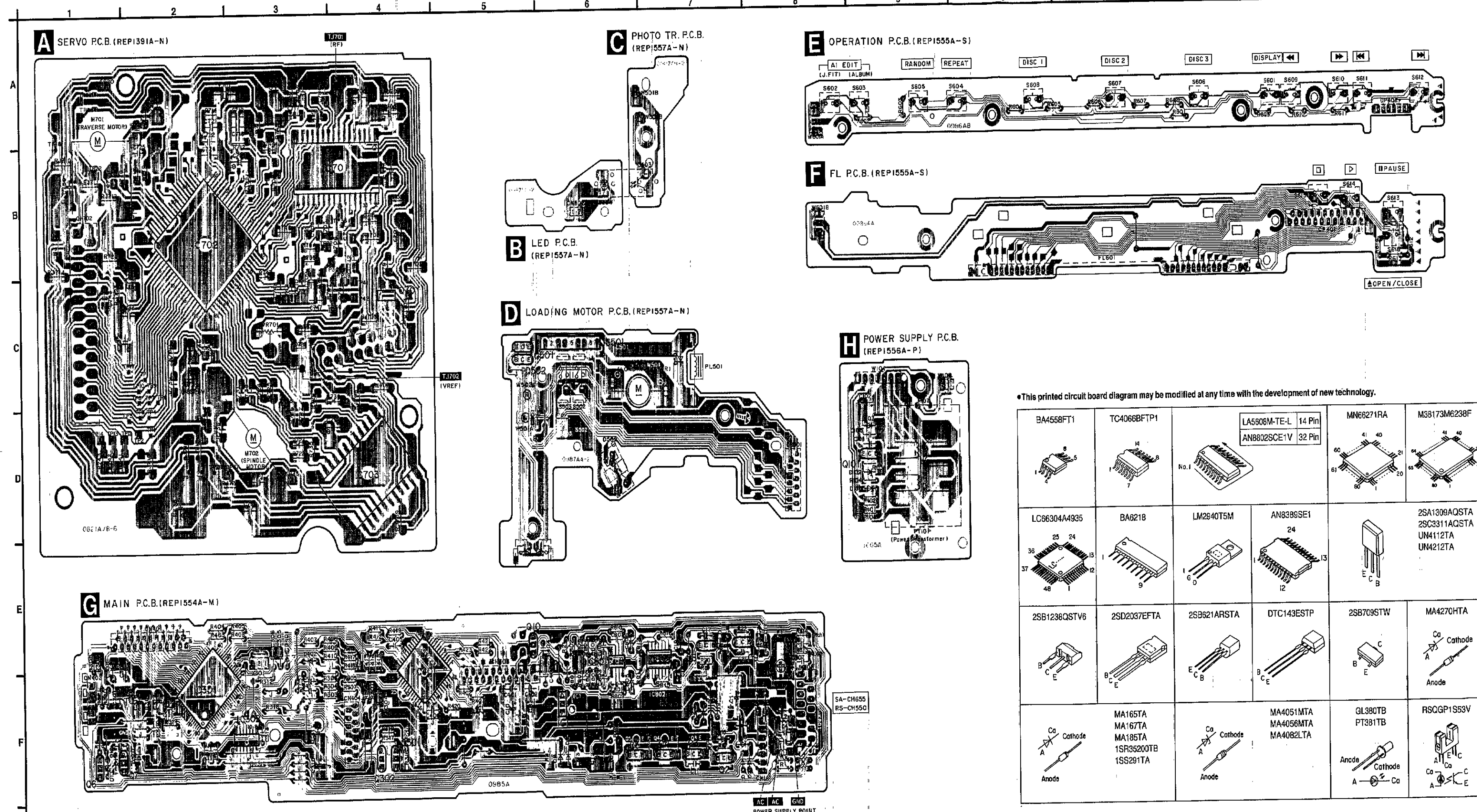
Ref. No	Production Parts No.	Supply Parts No.
IC1	LM2940T5M	LM2940T5
IC801	BA4558FT1	SVIBA4558F

- : Positive voltage line
- - - : Negative voltage line
- ⋯ : CD signal line

To MAIN CIRCUIT (C1403) (Page 21)

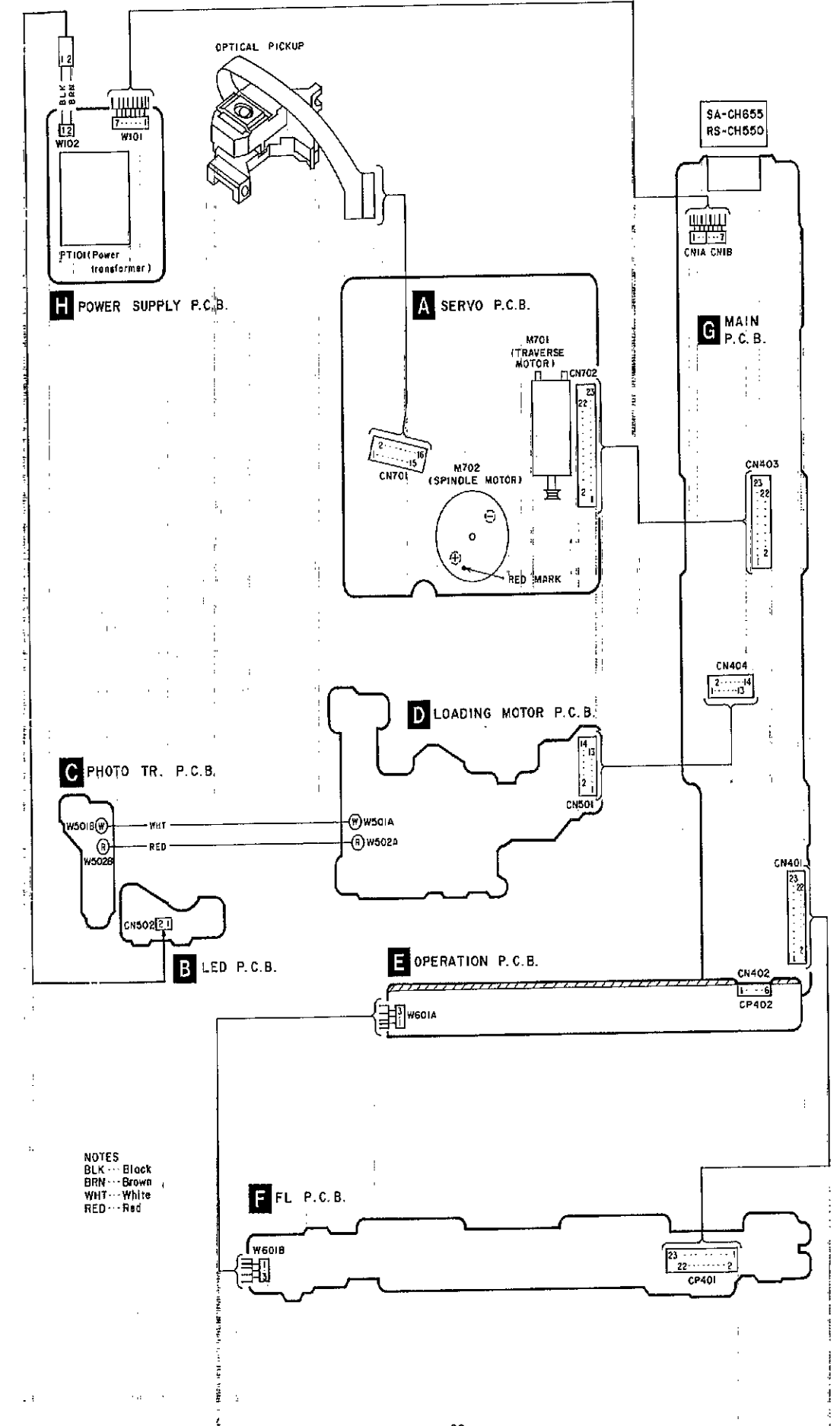
WIRING CONNECTION DIAGRAM

PRINTED CIRCUIT BOARD DIAGRAM



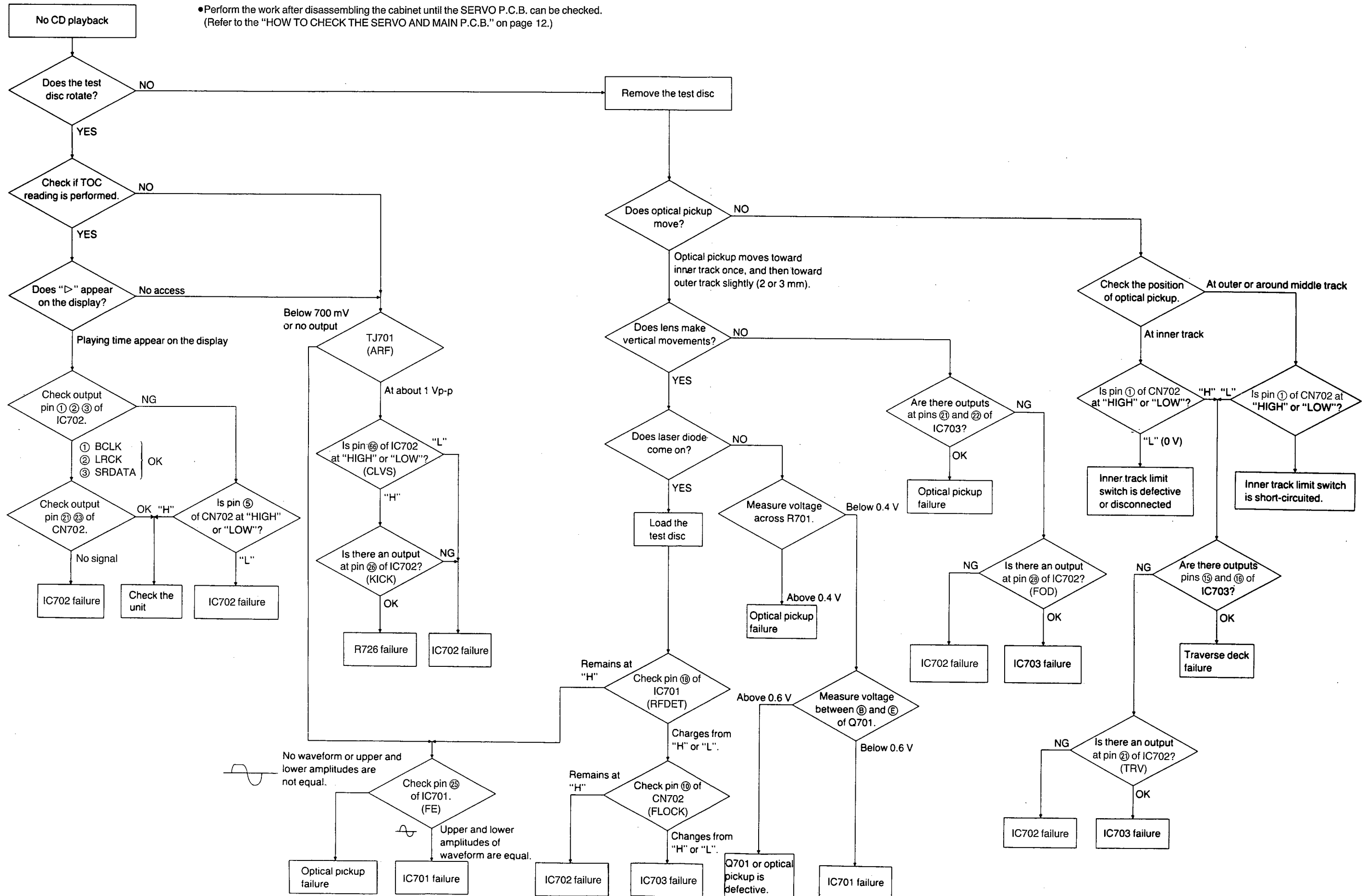
This printed circuit board diagram may be modified at any time with the development of new technology.

BA4558FT1	TC4066BFT1	LA5806M-TE-L 14 Pin AN8802SCE1V 32 Pin	MN66271RA	M38173M6238F
LC66304A4935	BA6218	LM2940T5M	AN8389SE1	2SA1309AQSTA 2SC3311AQSTA UN4112TA UN4212TA
2SB1238QSTV6	2SD2037EFTA	2SB921ARSTA	DTC143ESTP	2SB709STW
MA165TA MA167TA MA185TA 1SR35200TB 1SS291TA	MA4051MTA MA4056MTA MA4082LTA	GL380TB PT381TB	RSQGP1S53V	MA427CHTA



■ TROUBLESHOOTING GUIDE

• Perform the work after disassembling the cabinet until the SERVO P.C.B. can be checked.
(Refer to the "HOW TO CHECK THE SERVO AND MAIN P.C.B." on page 12.)



MEASUREMENTS AND ADJUSTMENTS

Caution:

- It is very dangerous to look at or touch the laser beam. (Laser radiation is invisible.)
- With the unit turned "on", laser radiation is emitted from the pickup lens.
- Avoid exposure to the laser beam, especially when performing adjustments.

- This unit (SL-CH555) is actuated by power supply from the tuner amplifier SA-CH655.
- If you wish to actuate this unit without using the tuner amplifier SA-CH655 for checking or repairing, follow below procedure.

- Apply AC 11 V between **AC** (L1)– **GND** (J1)– **AC** (L2).

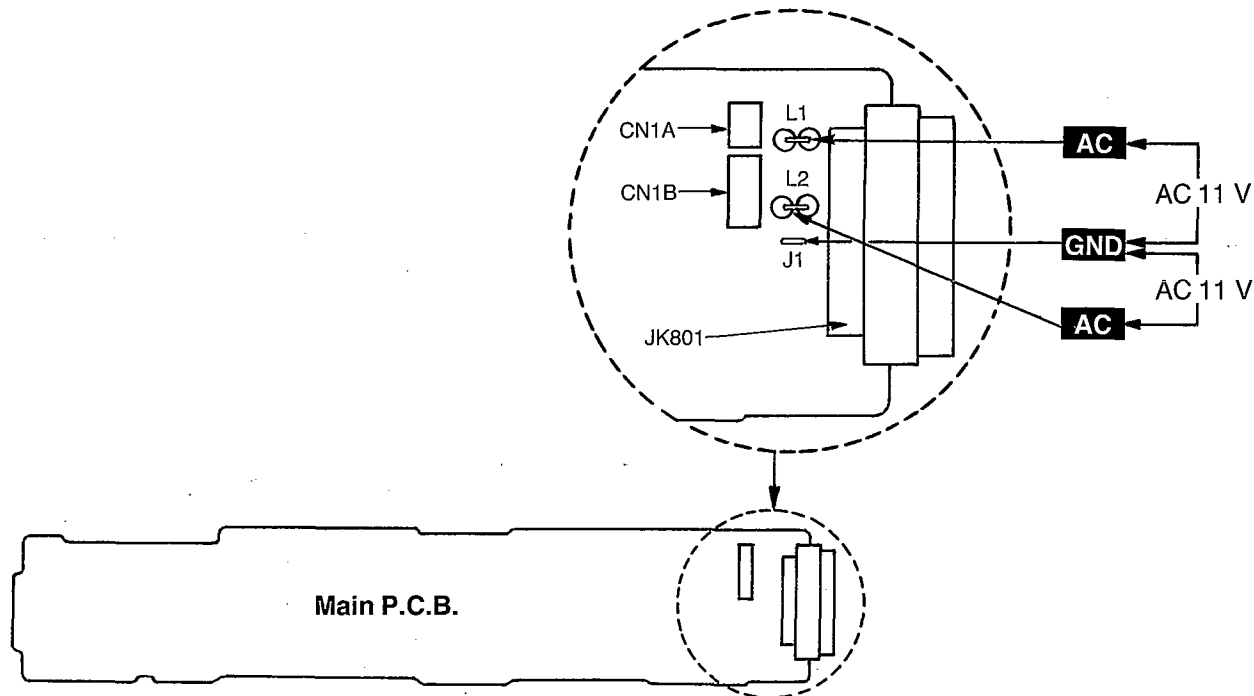


Fig. 1

Locations of Adjustments

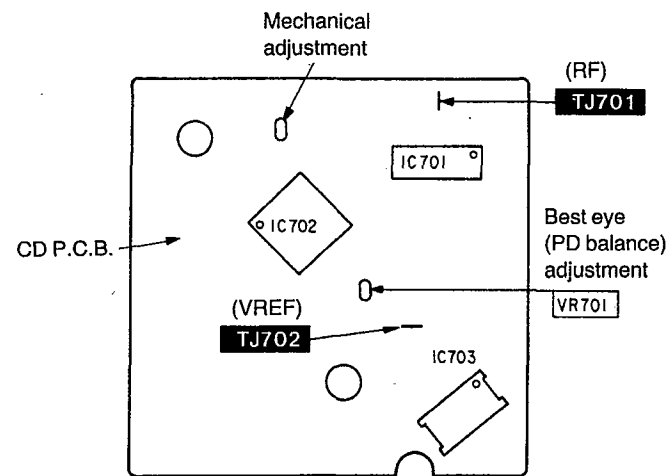


Fig. 2

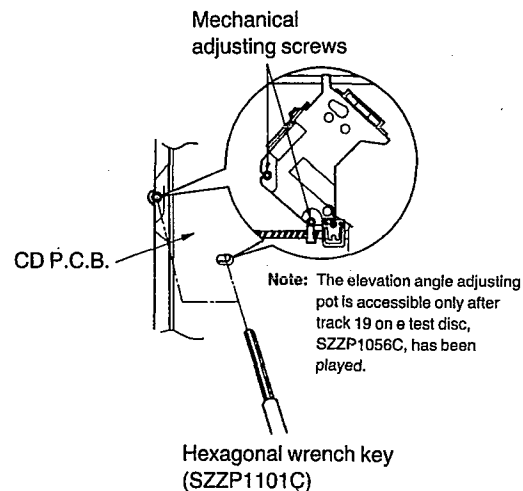


Fig. 3

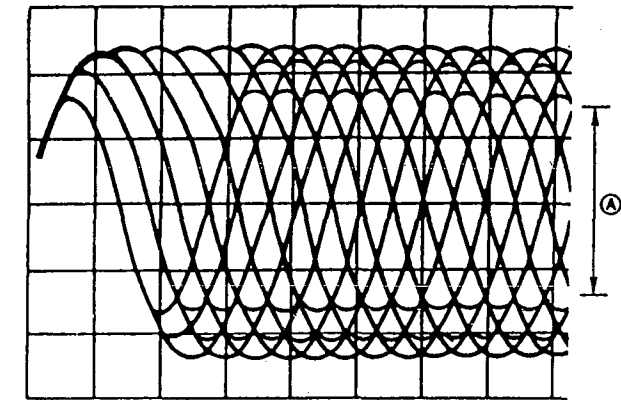
Measuring Instruments and Special Tools

- Test disc
 - Playability test disc (SZZP1054C)
 - Uneven test disc (SZZP1056C)

- Allen wrench (M2.0) (SZZP1101C)
- Oscilloscope

(1) MECHANICAL ADJUSTMENT

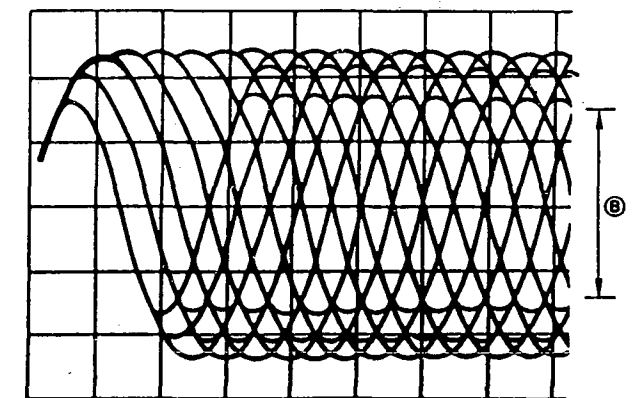
- When the traverse deck is replaced, making adjustments is not necessary. (The traverse deck ass'y is already adjusted.)
 - Make adjustments to improve playability when the traverse deck has not been replaced. Make the electrical adjustments first.
- Connect the oscilloscope's CH. 1 probe across **TJ701** (+) and **TJ702** (VREF) on the Servo P.C.B.
Oscilloscope setting:
 VOLT 200 mV
 SWEEP 0.5 μ sec
 Input coupling AC
 - Switch the player power ON, and play track 19 on the test disc (SZZP1056C).
 - Leave the player in Play mode and place it as shown in the figure on the right.
 - Alternately adjust the two mechanical adjusting screws with the 2.0 mm allen wrench (SZZP1101C) until the RF signal amplitude on the oscilloscope is maximize. (Shown in Fig. 3)
 - After completing the adjustment, lock the **mechanical adjustments** with lock paint (RZZ0L01).



A Maximize the amplitude.

(2) BEST EYE (PD BALANCE) ADJUSTMENT

- Connect the oscilloscope's CH. 1 probe across **TJ701** (+) and **TJ702** (VREF) on the Servo P.C.B.
Oscilloscope setting:
 VOLT 200 mV
 SWEEP 0.5 μ sec
 Input coupling AC
- Switch the player power ON, and play the 1 kHz (track 1) on test disc (SZZP1054C).
- Adjust VR701 until the RF signal eye pattern amplitude is maximized. (Shown in Fig. 2)



B Maximize the amplitude.

(3) CHECK OF PLAY OPERATION AFTER ADJUSTMENT

*Checking Skip Search

- Play an ordinary musical program disc.
- Press the skip button to check for normal skip search operation (in both the forward and reverse directions).

*Checking Manual Search

- Play an ordinary musical program disc.
- Press the manual search button to check for smooth manual search operations at either low or high speed (in both the forward and reverse directions).

*Checking Playability

- Play the 0.7 mm black dot and the 0.7 mm wedge on the test disc (SZZP1054C) and verify that no sound skip or noise occurs.
- Play the middle tracks of the uneven test disc and verify that no sound skip or noise occurs.

FUNCTION OF IC TERMINALS

●IC301 (M83173M6238F)

Pin No.	Terminal Name	I/O	Function
1	BSDTO	O	Bus data output
2	BSCKO	O	Bus clock output
3	BSDTI	I	Bus data input
4	BSCKI	I	Bus clock input
5 13	NU	—	—
14	SOL	O	Solenoid drive signal output
15	PSTN	I	Photo sensor signal input
16	PHOUT	I	Photo sensor signal input (Speed detect)
17	/FWD	O	Motor control (FWD)
18	/REW	O	Motor control (REW)
19	NU	—	—
20	/CD	O	Muting control signal output
21	CDPW	O	Reset control signal output
22	FOPN	I	Tray full open detect signal input
23	HOPN	I	Tray half open detect signal input
24	UP	I	Traverse up detect signal input
25	DOWN	I	Traverse down detect signal input
26	HALT	I	Power failure detect signal input
27	RST	I	Reset signal input
28	XC IN	—	GND
29	XC OUT	—	—
30	X IN	I	Clock input

Pin No.	Terminal Name	I/O	Function
31	X OUT	O	Clock output
32	VSS	—	GND
33 36	D3 D0	O	IC401 data output
37	CLK	O	IC401 clock output
38	ACK	O	IC401 acknowledge output
39	SEND	O	IC401 send enable
40	RCV	O	IC401 receive enable
41 51	G11 G1	O	FL grid drive signal output
52 54	NU	—	—
55 64	S10 S1	O	FL segment drive signal output
65 72	NU	—	—
73	VDD	I	+5 V
74	VPP	I	-28 V
75	AVSS	—	GND
76	VREF	O	Reference voltage output
77	NU	—	—
78, 79	KEY2, KEY1	I	Operation switch signal input
80	NU	—	—

●IC401 (LC66304A4935)

Pin No.	Pin Function	I/O	Description
1	REST SW	I	Innermost track sense switch status
2	SERVO RST	I	Reset signal input
3	STAT	I	Status signal input
4	SUBQ	I	Subcode Q input
5	D MUTE	O	Muting signal output
6	NC	—	—
7	SQCK	O	External clock for subcode Q register
8	BLCK	I	Subcode block clock input
9	MLD	O	Microprocessor command load signal
10	MDATA	O	Microprocessor command data
11	MCLK	O	Microprocessor command clock
12	NU	—	Tied high
13	/RECV	I	Send enable
14	/SEND	I	Receive enable
15	TEST	—	GND
16	Vss	—	GND
17	OSC1	I	Clock input from IC702
18	NC	—	GND
19	NC	—	GND
20	OSC2	—	—
21	/RST	O	Reset signal output
22	ACK	I	Acknowledge input for communication with IC601
23	CLK	I	Clock for communication with IC601

●IC703 (AN8389SE1)

Pin No.	Terminal Name	I/O	Function
1	Vcc	I	Power supply
2	VREF	I	VREF input
3	IN4	I	Motor driver (4) input
4	IN3	I	Motor driver (3) input
5	GND	—	Ground connection
6	NC	—	Ground connection
7	NRESET	I	Reset input
8	GND	—	Ground connection
9	IN2	I	Motor driver (2) input
10	PC2	I	PC2 (power cut) input
11	IN1	I	Motor driver (1) input
12	PC1	I	PC1 (power cut) input (no use, open)

Pin No.	Pin Function	I/O	Description
24	DATA0	I	Parallel 4-bit data from IC601
25	DATA1	I	
26	DATA2	I	
27	DATA3	I	
28	NU	—	GND
29	NC	—	GND
30	NC	—	GND
31	EMP	—	—
32	MUTE RELAY	—	—
33	NU	—	GND
34	NU	—	GND
35	CS	—	GND
36	CS	—	GND
37	NU	—	GND
38	NU	—	GND
39	Vcc	I	Power supply
40	OPEN SW	I	Tied high
41	CLOSE SW	—	GED
42	NC	—	GND
43	NC	—	GND
44	/CLOSE	—	—
45	/OPEN	—	—
46	SENSE	I	Sense signal input
47	/FLOCK	I	Focus servo pull-in signal
48	/TLOCK	I	Tracking servo pull-in signal

Pin No.	Terminal Name	I/O	Function
13	PVcc1	I	Power supply (1) for driver
14	PGND1	—	Ground connection (1) for driver
15	D1-	O	Motor driver (1) reverse-action output
16	D1+	O	Motor driver (1) forward-action output
17	D2-	O	Motor driver (2) reverse-action output
18	D2+	O	Motor driver (2) forward-action output
19	D3-	O	Motor driver (3) reverse-action output
20	D3+	O	Motor driver (3) forward-action output
21	D4-	O	Motor driver (4) reverse-action output
22	D4+	O	Motor driver (4) forward-action output
23	PGND2	—	Ground connection (2) for driver
24	PVcc2	I	Power supply (2) for driver

●IC701 (AN8802SCE1V)

Pin No.	Terminal Name	I/O	Function
1	PDAD	I	PD A channel signal input with delay
2	PDA	I	PD A channel signal input without delay
3	LPD	I	Laser PD connection
4	LD	O	Power supply for LD driving
5	AMPI	I	RF amplifier input
6	Vcc	I	Power supply connection
7	AMPO	O	RF amplifier output (no use, open)
8	CAGC	I	AGC loop filter connection
9	ARF	O	RF AGC output
10	CENV	I	Capacitor connection for RF detection
11	CEA	I	Capacitor connection for HPF amplifier
12	GND	—	Ground connection
13	LDON	I	ON/OFF input of LD APC ("H": ON, "L": OFF)
14	TES	I	Tracking error shunt signal input ("H": shunt)
15	PLAY	I	Play signal input ("H": PLAY)
16	WVEL	I	WVEL control
17	BDO	O	BDO output
18	/RFDET	O	RFDET output
19	CROSS	O	CROSS output
20	OFTR	O	OFTR output
21	VDET	O	VDET output
22	ENV	O	ENV output
23	TEBPF	I	Vibration detection input
24	TE	O	Tracking error output
25	FE	O	Focus error output
26	PTO	O	Potentiometer output (no use, open)
27	PTI	I	Potentiometer inversion input (no use, open)
28	TBAL	I	Tracking balance input
29	FBAL	I	Focus balance input
30	VREF	O	VREF output
31	PDB	I	PD B channel signal input without delay
32	PDBD	I	PD B channel signal input with delay

●IC702 (MN66271RA)

Pin No.	Terminal Name	I/O	Function
1	BCLK	O	Bit clock output for serial data (no use, open)
2	LRCK	O	L/R identification signal output (no use, open)
3	SRDATA	O	Serial data output (no use, open)
4	DVcc1	I	Power supply input (for digital circuit)
5	DVss1	—	GND (for digital circuit)
6	TX	O	Digital audio interface signal output
7	MCLK	I	Microprocessor command clock signal input (Latches data at first transition)
8	MDATA	I	Microprocessor command data signal input
9	MLD	I	Microprocessor command load signal input
10	SENSE	O	Sense signal output (OFT, FESL, MAGEND, NAJEND, POSAD, SFG)
11	/FLOCK	O	Focus servo feeding signal output ("L": Feed)
12	/TLOCK	O	Tracking servo feeding signal output ("L": Feed)
13	BLCK	O	Sub-code block clock signal output (BLCK=75 Hz during normal playback)
14	SQCK	I	External clock signal input for sub-code Q register
15	SUBQ	O	Sub-code Q code output
16	DMUTE	I	Muting input ("H": Mute)
17	STAT	O	Status signal output (CRC, CUE, CLVS, TTSTVP, FCLV, SOCK)
18	/RST	I	Reset input
19	SMCK	O	1/2-divided clock signal of crystal oscillating at MSEL="H" (SMCK=8.4672 MHz)
20	PMCK	O	1/4-divided clock signal of crystal oscillating at MSEL="L" (SMCK=4.2335 MHz)
21	TRV	O	1/192-divided clock signal of crystal oscillating (TPMCK=88.2 kHz) (no use, open)
22	TRV	O	Traverse forced feed output
23	TVD	O	Traverse drive output
24	PC	O	Spindle motor ON signal output ("L": ON)
25	ECM	O	Spindle motor drive signal output (forced mode output)
26	ECS	O	Spindle motor drive signal output (servo error signal output)
27	KICK	O	Kick pulse output
28	TRD	O	Tracking drive output
29	FOD	O	Focus drive output

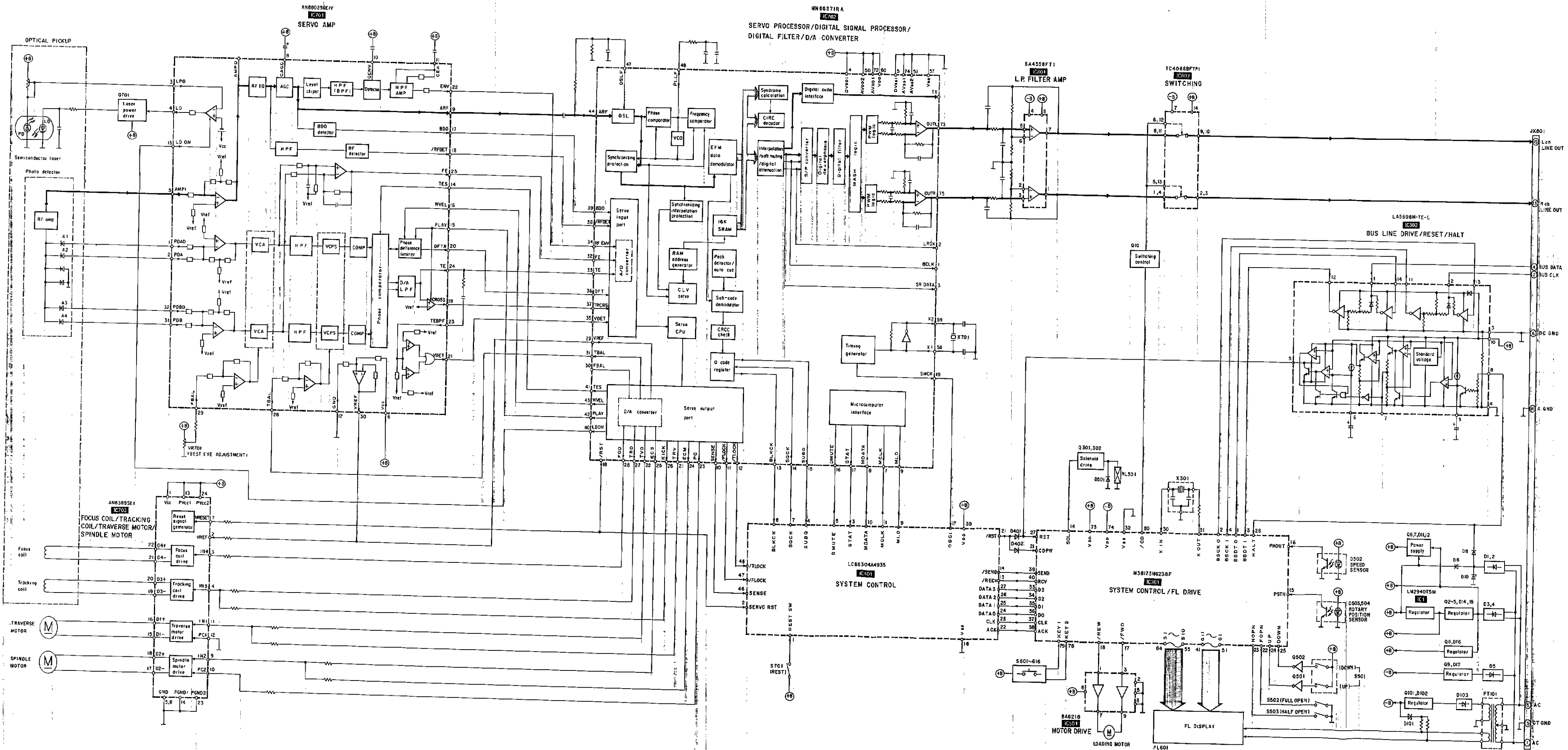
Pin No.	Terminal Name	I/O	Function
29	VREF	I	D/A (drive) output (TVD, ECS, TRD, FOD, FBAL, TBAL) Reference voltage input
30	FBAL	O	Focus balance adjustment output (no use, open)
31	TBAL	O	Tracking balance adjustment output
32	FE	I	Focus error signal input (analog input)
33	TE	I	Tracking error signal input (analog input)
34	RFENV	I	RF envelope signal input
35	VDET	I	Vibration detection signal input ("H": detection)
36	OFT	I	Off-track signal input ("H": off track)
37	TRCRS	I	Track cross signal input
38	/RFDET	I	RF detection signal input ("L": detection)
39	BDO	I	Dropout signal input ("H": Dropout)
40	LDON	O	Laser on signal output ("H": ON)
41	TES	O	Tracking error shunt signal output ("H": shunt)
42	PLAY	O	Play signal output ("H": PLAY)
43	WVEL	O	Double speed status signal output ("H": Double speed)
44	ARF	I	RF signal input
45	IREF	I	Reference current input
46	DRF	I	DSL bias (no use, open)
47	DSLIF	IO	DSL loop filter
48	PLLIF	IO	PLL loop filter
49	VCOF	IO	VCO loop filter (no use, open)
50	AVcc2	I	Power supply input (for analog circuit)
51	AVss2	—	GND (for analog circuit)
52	EFM	O	EFM signal output (not use, open)
53	PCK	O	PLL extraction clock output (PCK=4.321 MHz during normal playback) (no use, open)
54	PDO	O	Phase comparison signal of EFM and PCK signals (no use, open)
55	SUBQ	O	Sub-code serial data output (no use, open)
56	SBCK	I	Clock input for sub-code serial data (no use, open)
57	Vss	—	GND
58	X1	I	Crystal oscillating circuit input (f=16.9344 MHz)
59	X2	O	Crystal oscillation circuit output (f=16.9344 MHz)
60	Vcc	I	Power supply input (for oscillating circuit)
61	BYTCK	O	Byte clock output (no use, open)

Pin No.	Terminal Name	I/O	Function
62	/CLDCK	O	Sub-code frame clock signal output (CLDCK=7.35 kHz during normal playback)
63	FCLK	O	Crystal frame clock signal output (FCLK=7.35 kHz, double=14.7 kHz)
64	PFLAG	O	Interpolation flag output ("H": Interpolation) (no use, open)
65	FLAG	O	Flag output (no use, open)
66	CLVS	O	Spindle servo phase synchronizing signal output ("H": CLV, "L": rough servo) (no use, open)
67	CRC	O	Sub-code CRC checked output ("H": OK, "L": NG) (no use, open)
68	DEMPH	O	De-emphasis ON signal output ("H": ON) (no use, open)
69	RESY	O	Frame resynchronizing signal output (no use, open)
70	/RST2	I	Reset input through MASH circuit ("L": Reset)
71	/TEST	I	Test input
72	AVcc1	I	Power supply input (for analog circuit)
73	OUTL	O	Left channel audio signal output
74	AVss1	—	GND
75	OUTR	O	Right channel audio signal output
76	RSEL	I	RF signal polarity assignment input (at "H" level, RSEL="H"; at "L" level, RSEL="L")
77	CSEL	I	Crystal oscillating frequency designation input ("L": 16.9344 MHz, "H": 33.8688 MHz)
78	PSEL	I	Test input (normally, "L") (no use, open)
79	MSEL	I	Output frequency switching for SMCK terminal ("H": SMCK=8.4672 MHz, "L": SMCK=4.2335 MHz) (no use, open)
80	SSEL	I	Output mode switching of SUBQ terminal ("H": Q code buffer mode)

■ BLOCK DIAGRAM

SL-CH555 SL-CH555

SL-CH555 SL-CH555



REPLACEMENT PARTS LIST

Notes: *Important safety notice:
Components identified by Δ mark have special characteristics important for safety.
Furthermore, special parts which have purposes of fire-retardant (resistors), high-quality sound (capacitors), low-noise (resistors), etc. are used.
When replacing any of components, be sure to use only manufacturer's specified parts shown in the parts list.
*The parenthesized indications in the Remarks columns specify the areas. (Refer to the cover page for area.)
Parts without these indications can be used for all areas.
*Warning: This product uses a diode. Refer to caution statements on page 2.

Ref. No.	Part No.	Part Name & Description	Remarks	Ref. No.	Part No.	Part Name & Description	Remarks
		INTEGRATED CIRCUIT (S)		D502	RSQP1S53V	DIODE	
				D503	PT381TB	DIODE	
				D504	GL380TB	DIODE	
IC1	LM2940T5	I. C. REGULATOR	Δ				
IC301	M38173M6238F	I. C. FL. DRIVE/SYSTEM CONT.				COIL (S)	
IC302	LA5608M-TE-L	I. C. BUS LINE/HALT/RESET					
IC401	LC66304A4935	I. C. SYSTEM CONT.		L1, 2	BL02RN2R62T4	COIL	
IC501	BA6218	I. C. MOTOR DRIVE		L3, 4	ELEXT3R3KA9	COIL	
IC801	SV1BA4558F	I. C. L. P. F.		L401	BL02RN2R62T4	COIL	
IC802	TC4066BFTP1	I. C. SWITCHING					
IC701	AN8802SCE1V	I. C. SERVO AMP.				VARIABLE RESISTOR (S)	
IC702	MN66271RA	I. C. SERVO PROCESSOR					
IC703	AN8389SE1	I. C. MOTOR DRIVE		VR701	EVNDA00B14	V. R. BEST EYE ADJ.	
		TRANSISTOR (S)				OSCILLATOR (S)	
Q2-5	2SD2037EFTA	TRANSISTOR	Δ	X301	RSXY4K23M01T	OSCILLATOR (4.23MHz)	
Q6	2SC3311A-Q	TRANSISTOR		X701	RSXZ16M9M02T	OSCILLATOR (16.9344MHz)	
Q7	2SB621A-R	TRANSISTOR					
Q8	2SC3311A-Q	TRANSISTOR	Δ			DISPLAY (S)	
Q9	2SA1309A-R	TRANSISTOR	Δ				
Q10	UN4112	TRANSISTOR		FL601	RSLO144-F	FL. DISPLAY	
Q101	2SB1238QSTV6	TRANSISTOR	Δ				
Q301	2SB621A-R	TRANSISTOR				SWITCH (ES)	
Q302	UN4212TA	TRANSISTOR		S501	RSH2A001-2	SW. UP/DOWN	
Q501, 502	DTC143ESTP	TRANSISTOR		S502	RSH1A005	SW. FULL OPEN	
Q701	2SB709S	TRANSISTOR		S503	RSH1A005	SW. HALF OPEN	
		DIODE (S)		S601	EVQ21405R	SW. DISPLAY	
D1, 2	MA167	DIODE	Δ	S602	EVQ21405R	SW. J. FIT	
D3-5	1SR35200TB	DIODE	Δ	S603	EVQ21405R	SW. ALBUM	
D6	MA165	DIODE		S604	EVQ21405R	SW. REPEAT	
D8	MA165	DIODE		S605	EVQ21405R	SW. RANDOM	
D10	MA4051MTA	DIODE	Δ	S606	EVQ21405R	SW. DISC3	
D11, 12	MA165	DIODE		S607	EVQ21405R	SW. DISC2	
D14	MA4082LTA	DIODE	Δ	S608	EVQ21405R	SW. DISC1	
D16, 17	MA4056MTA	DIODE	Δ	S609	EVQ21405R	SW. REV. SEARCH	
D18	1SR35200TB	DIODE		S610	EVQ21405R	SW. FWD. SEARCH	
D101	MA4051MTA	DIODE	Δ	S611	EVQ21405R	SW. REV. SKIP	
D102	MA4270MTA	DIODE	Δ	S612	EVQ21405R	SW. FWD. SKIP	
D103	MA185TA	DIODE	Δ	S613	EVQ21405R	SW. PAUSE	
D301	1SS291TA	DIODE		S614	EVQ21405R	SW. PLAY	
D401	1SS291TA	DIODE		S615	EVQ21405R	SW. STOP	
D402	MA165	DIODE		S616	EVQ21405R	SW. OPEN/CLOSE	
D501	MA165	DIODE		S701	RSM006-P	SW. REST	

Ref. No.	Part No.	Part Name & Description	Remarks	Ref. No.	Part No.	Part Name & Description	Remarks
		CONNECTOR (S)				EARTH TERMINAL (S)	
CN401	RJS1A6823	SOCKET (23P)		E1	SNE1004-1	GND PLATE	
CN402	RJU003K006M1	SOCKET (6P)				TRANSFORMER (S)	
CN403	RJS1A6823	SOCKET (23P)					
CN404	RJS1A6814	SOCKET (14P)		PT101	RTP114G003	POWER TRANSFORMER	Δ
CN501	RJS1A6714	SOCKET (14P)					
CN502	RJP2G17ZA	PLUG (2P)				JACK (S)	
CN701	RJU035T016-1	SOCKET (16P)					
CN702	RJS1A6723-1Q	SOCKET (23P)		JK801	RJT065K15	CONNECTOR (15P)	
CN1A	RJS1A6603	SOCKET (3P)				TEST JUMPER (S)	
CN1B	RJS1A6604	SOCKET (4P)					
CP401	RJS1A6723-Q	SOCKET (23P)		TJ701	RRJ8GET001H	TEST JUMPER	
CP402	RJT003K006-1	CONNECTOR (6P)		TJ702	RRJ8GET001H	TEST JUMPER	

Notes : * Capacity values are in microfarads (uF) unless specified otherwise, P=Pico-farads (pF) F=Farads (F)
* Resistance values are in ohms, unless specified otherwise, 1K=1,000 (OHM) . 1M=1,000k (OHM)

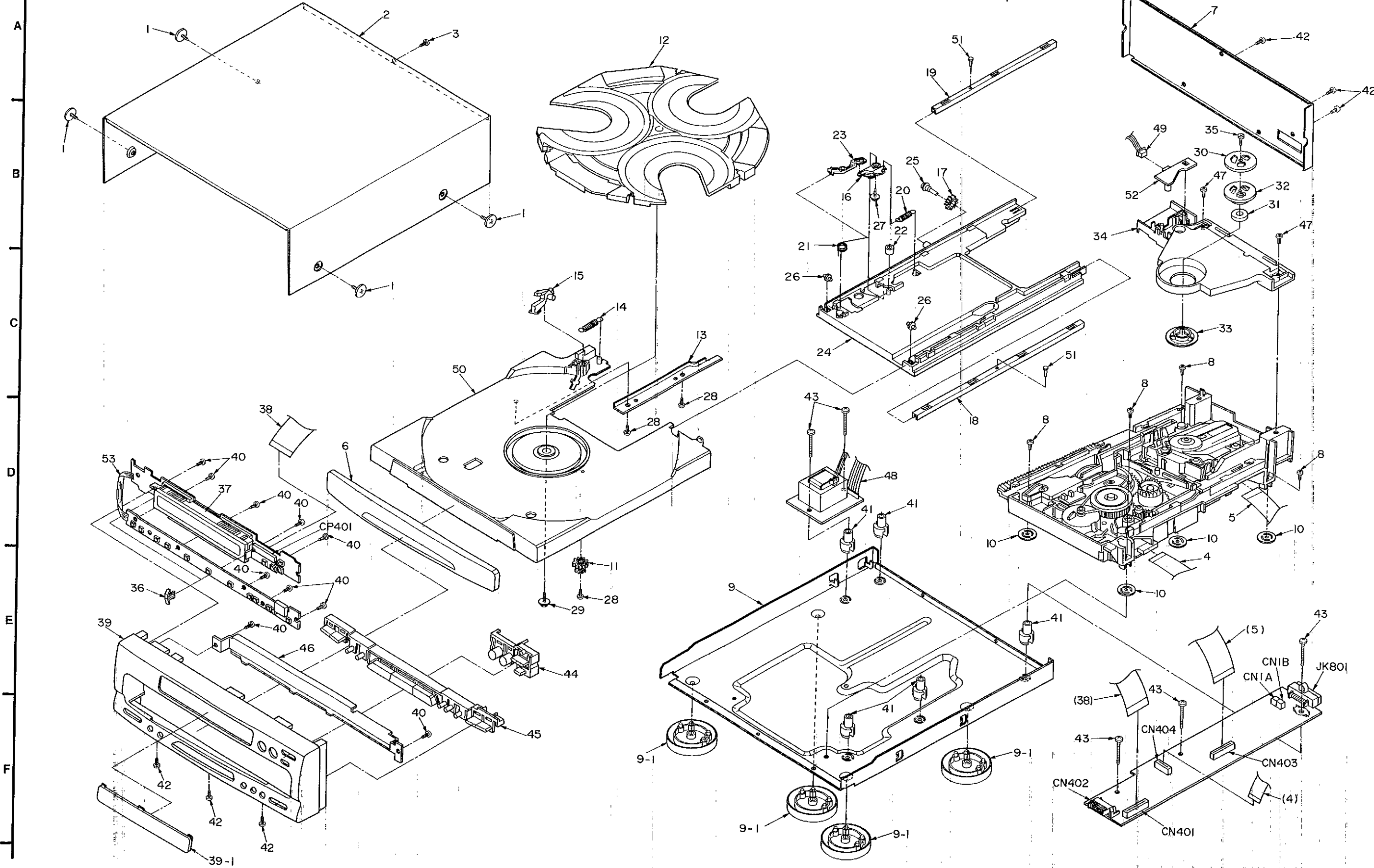
Ref. No.	Part No.	Values & Remarks	Ref. No.	Part No.	Values & Remarks	Ref. No.	Part No.	Values & Remarks
		RESISTORS	R311	ERDS2TJ104	1/4W 100K	R611	ERDS2TJ821	1/4W 820
			R312	ERDS2TJ103	1/4W 10K	R612	ERDS2TJ122	1/4W 1.2K
			R313	ERDS2TJ470	1/4W 47	R613	ERDS2TJ102	1/4W 1K
R1, 2	ERDS2TJ562	1/4W 5.6K	R315	ERDS2TJ470	1/4W 47	R614	ERDS2TJ821	1/4W 820
R3	ERDS2TJ472	1/4W 4.7K	R316	ERDS2TJ223	1/4W 22K	R701	ERJ6GEYJ100	1/10W 10
R5	ERQ16MWR15E	1/6W 0.15 Δ	R317	ERDS2TJ821	1/4W 820	R702	ERJ6GEYJ471V	1/10W 470
R6, 7	ERDS2TJ471	1/4W 470	R318	ERDS2TJ472	1/4W 4.7K	R703	ERJ6GEYJ823	1/10W 82K
R8	ERD2FCVJ6R8T	1/4W 6.8 Δ	R319	ERDS1FVJ6R8T	1/2W 6.8 Δ	R704	ERJ6GEYJ102A	1/10W 1K
R10, 11	ERDS2TJ1R2	1/4W 1.2	R320, 321	ERDS2TJ101	1/4W 100	R705	ERJ6GEYJ103V	1/10W 10K
R12	ERDS1FVJ271T	1/2W 270 Δ	R401	ERDS2TJ102	1/4W 1K	R706	ERJ6GEYJ102A	1/10W 1K
R13	ERD2FCVJ6R8T	1/4W 6.8 Δ	R402	ERDS2TJ560T	1/4W 56	R707	ERJ6GEYJ473V	1/10W 47K
R19	ERDS2TJ332	1/4W 3.3K	R403-410	ERDS2TJ221	1/4W 220	R708	ERJ6GEYJ224V	1/10W 220K
R20	ERDS2TJ151	1/4W 150	R411-418	ERDS2TJ472	1/4W 4.7K	R709	ERJ6GEYJ683V	1/10W 68K
R21	ERDS2TJ103	1/4W 10K	R419	ERDS2TJ104	1/4W 100K	R711	ERJ6GEYJ154V	1/10W 150K
R22	ERDS2TJ332	1/4W 3.3K	R420	ERDS2TJ103	1/4W 10K	R712	ERJ6GEYJ471V	1/10W 470
R23	ERDS2TJ151	1/4W 150	R421	ERDS2TJ472	1/4W 4.7K	R714	ERJ6GEY0R00A	1/10W 0.00
R26, 27	ERDS2TJ1R2	1/4W 1.2	R422	ERDS2TJ102	1/4W 1K	R717-720	ERJ6GEYJ102A	1/10W 1K
R101, 102	ERDS2EJ121	1/4W 120	R423	ERDS2TJ472	1/4W 4.7K	R721	ERJ6GEYJ101V	1/8W 100
R103	ERDS2TJ471	1/4W 470	R601	ERDS2TJ223	1/4W 22K	R722	ERJ6GEYJ473V	1/10W 47K
R104	ERDS2TJ562	1/4W 5.6K	R602	ERDS2TJ123	1/4W 12K	R723	ERJ6GEYJ182V	1/10W 1.8K
R105	ERDS2TJ100	1/4W 10	R603	ERDS2TJ682T	1/4W 6.8K	R724	ERJ6GEYJ333V	1/10W 33K
R106	ERDS2TJ120T	1/4W 12	R604	ERDS2TJ472	1/4W 4.7K	R725	ERJ6GEYJ472V	1/10W 4.7K
R107	ERDS2TJ271	1/4W 270	R605	ERDS2TJ332	1/4W 3.3K	R726	ERJ6GEYJ473V	1/10W 47K
R301-305	ERDS2TJ103	1/4W 10K	R606	ERDS2TJ222	1/4W 2.2K	R727	ERJ6GEYJ103V	1/10W 10K
R306	ERDS2TJ473	1/4W 47K	R607	ERDS2TJ182	1/4W 1.8K	R728	ERJ6GEYJ392V	1/10W 3.9K
R307	ERDS2TJ181T	1/4W 180	R608	ERDS2TJ152	1/4W 1.5K	R730	ERJ6GEYJ331V	1/10W 330
R308, 309	ERDS2TJ103	1/4W 10K	R609	ERDS2TJ122	1/4W 1.2K	R731	ERJ6GEYJ392V	1/10W 3.9K
R310	ERDS2TJ101	1/4W 100	R610	ERDS2TJ102	1/4W 1K	R734-736	ERJ6GEYJ101V	1/10W 100

Ref. No.	Part No.	Values & Remarks	Ref. No.	Part No.	Values & Remarks	Ref. No.	Part No.	Values & Remarks
R738	ERJ6GEYJ223V	1/10W 22K	C703	ECEA0JKA1011	6.3V 100U	RJ714	ERJ8GEY0R00A	1/10W 0
R739	ERJ6GEYJ681V	1/10W 680	C704	ECUZ1E104MBN	25V 0.1U	RJ715	ERJ8GEY0R00A	1/10W 0
R741-743	ERJ6GEYJ562V	1/10W 5.6K	C705	ECEA1HKA0101	50V 1U	RJ716	ERJ8GEY0R00A	1/10W 0
R744	ERJ6GEYJ103V	1/10W 10K	C706	ECUE1H101JCN	50V 100P	RJ717	ERJ8GEY0R00A	1/10W 0
R745	ERJ6GEYJ155V	1/10W 1.5M	C708	ECUE1H72KBN	50V 4700P	RJ721	ERJ8GEY0R00A	1/10W 0
R746	ERJ8GEYJ103V	1/8W 10K	C709	ECUE1C473KBN	16V 0.047U	RJ722	ERJ8GEY0R00A	1/10W 0
R747	ERJ6GEYJ473V	1/10W 47K	C710	ECUE1H152KBN	50V 1500P	RJ724	ERJ8GEY0R00A	1/10W 0
R801, 802	ERDS2TJ104	1/4W 100K	C711, 712	ECUZ1E104MBN	25V 0.1U	RJ725	ERJ8GEY0R00A	1/10W 0
R803-806	ERDS2TJ223	1/4W 22K	C713	ECUV1C104MBN	16V 0.1U	RJ726	ERJ8GEY0R00A	1/10W 0
R807, 808	ERDS2TJ273	1/4W 27K	C714	ECEA0JKA1011	6.3V 100U			
R809, 810	ERDS2TJ332	1/4W 3.3K	C715	ECEA0JKA4701	6.3V 47U			
R811-814	ERDS2TJ104	1/4W 100K	C716	ECUE1H561KBN	50V 560P			
R815, 816	ERDS2TJ102	1/4W 1K	C717	ECUZ1E104MBN	25V 0.1U			
			C718, 719	ECUV1C224KBN	16V 0.22U			
			C721, 722	ECUE1H100DCN	50V 10P			
			C723	ECEA1KA2211	10V 220U			
C1	ECA1CM222B	16V 2200U Δ	C724	ECUV1C104MBN	16V 0.1U			
C2	ECA1EM101B	25V 100U Δ	C725, 726	ECUE1H102KBN	50V 1000P			
C3, 4	ECBT1E1032F	25V 0.01U	C727, 728	ECEA1HKA0101	50V 1U			
C5	ECBT1H102KB5	50V 1000P	C730	ECUZ1E104MBN	25V 0.1U			
C8	ECEA0JKA221B	6.3V 220U	C731, 732	ECA05SD1511	6.3V 150U			
C10	ECEA1KA221Q	10V 220U	C733	ECUZ1E104MBN	25V 0.1U			
C11	ECBT1H102KB5	50V 1000P	C734	ECEA1KA2211	10V 220U			
C12	ECEA1KA101B	10V 100U	C735-737	ECUZ1E104MBN	25V 0.1U			
C16	ECEA0JKA470B	6.3V 47U	C738	ECUV1C154KBN	16V 0.15U			
C17	ECBT1H102KB5	50V 1000P	C742	ECUV1E273KBN	25V 0.027U			
C18-20	ECEA0JKA470B	6.3V 47U	C743	ECUZ1E104MBN	25V 0.1U			
C21	ECBT1H102KB5	50V 1000P	C744	ECUE1E822KBN	25V 8200P			
C101	ECBT1H102KB5	50V 1000P	C745	ECUE1C473KBN	16V 0.047U			
C102	ECA1H101B	50V 100U Δ	C746	ECUE1H500DCN	50V 5P			
C103	ECR2H102ZF5	500V 1000P	C747	ECUE1H222KBN	50V 2200P			
C301, 302	ECBT1H101KB5	50V 100P	C748	ECUV1H271KBN	50V 270P			
C303	ECBT1H104ZF5	50V 0.1U	C801, 802	ECBT1H331KB5	50V 330P			
C304	ECEA0JKA470B	6.3V 47U	C803, 804	ECBT1H121KB5	50V 120P			
C305, 306	ECBT1E1032F	25V 0.01U	C805, 806	ECEA1KA220B	25V 22U			
C307, 308	ECEA1HKA3R3B	50V 3.3U	C807, 808	ECBT1H101KB5	50V 100P			
C309	ECBT1H102							

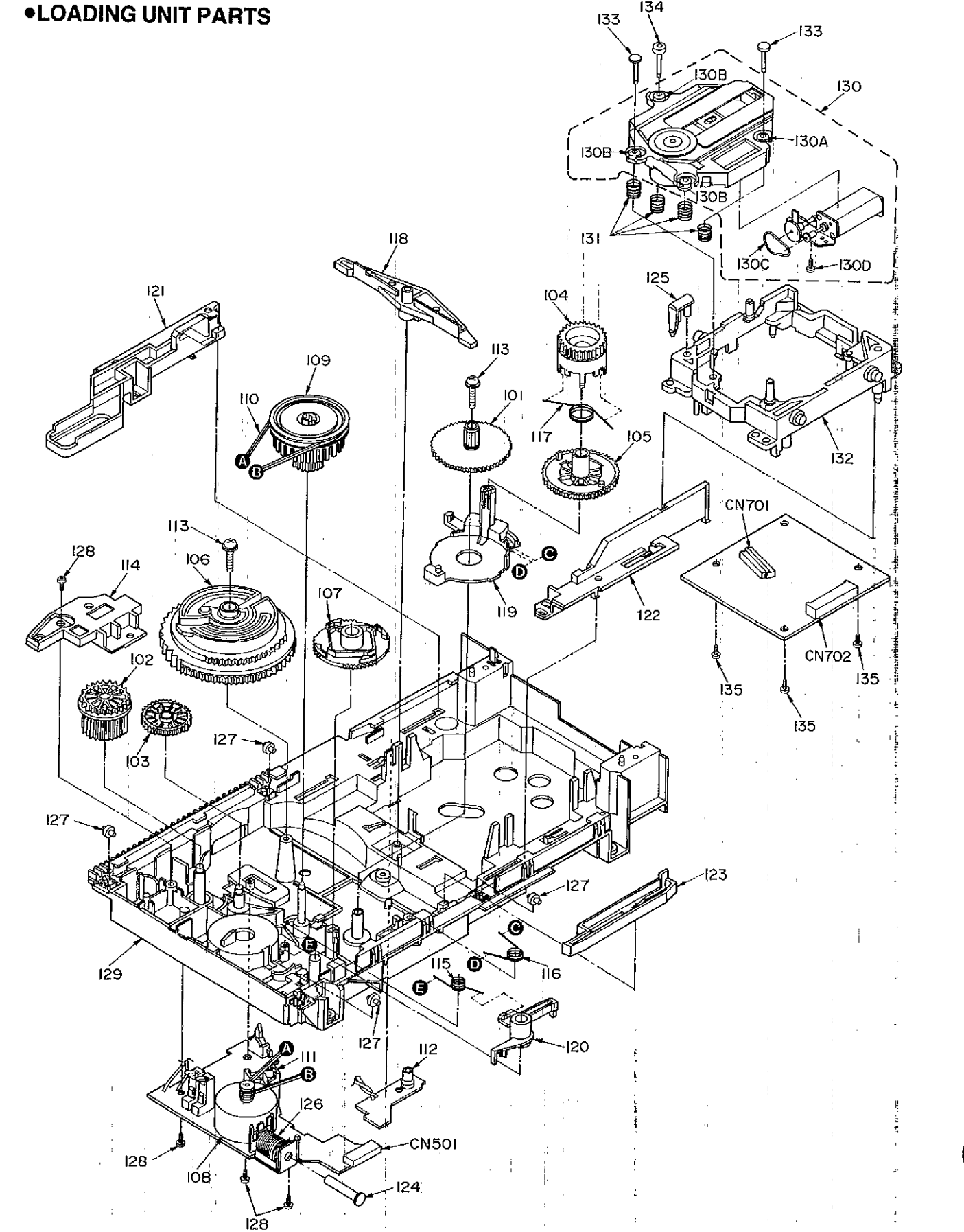
■ CABINET PARTS AND LOADING UNIT PARTS LOCATION



● CABINET PARTS



● LOADING UNIT PARTS



Ref. No.	Part No.	Part Name & Description	Remarks	Ref. No.	Part No.	Part Name & Description	Remarks
		CABINET PARTS		48	REZ0557	FLAT CABLE (7P)	(W101)
				49	REX0482	FLAT CABLE (2P)	(W102)
1	RHD30007	SCREW		50	RFKJLCH555PK	DISC TRAY ASS'Y	
2	RKM0222-K	CABINET		51	XTN2+6F	SCREW	
3	XTBS3+8JFZ1	SCREW		52	RMN0222	LED HOLDER	
4	REZ0555	FLAT CABLE		53	REZ0558	FLAT CABLE (3P)	(W601A/W601B)
5	REZ0556	FLAT CABLE				LOADING PARTS	
6	RGK0536-K	TRAY PANEL		101	RDG0194	GEAR	
7	RGR0162A-C	REAR PANEL		102	RDG0223	GEAR	
8	RHD30043	SCREW		103	RDG0224	GEAR	
9	RFKJLCH555PA	BOTTOM BOARD ASS'Y		104	RDG0244	GEAR	
9-1	RKA0055-N	FOOT		105	RDG0245	GEAR	
10	RMG0319-K	BUBBER		106	RDK0022	GEAR	
11	RDG0228	GEAR		107	RDK0023	GEAR	
12	RGTO014	ROTARY TRAY		108	RFKPLCH555PK	MOTOR ASS'Y	
13	RMA0681	ANGLE		109	RDPO058	GEAR	
14	RME0123	SPRING		110	RDV0025	BELT	
15	RML0312	LEVER		111	RMN0204	SENSOR HOLDER	
16	RDG0225	GEAR		112	RMN0222	LED HOLDER	
17	RDG0227	GEAR		113	RHD30029	SCREW	
18	RMA0654	ANGLE (A)		114	RMA0653	ANGLE	
19	RMA0655	ANGLE (B)		115	RME0120	SPRING	
20	RME0123	SPRING		116	RME0121	SPRING	
21	RME0139	SPRING		117	RME0137	SPRING	
22	RMG0293-C	RUBBER		118	RML0177	LEVER	
23	RML0291	LEVER		119	RML0288	LEVER	
24	RMRO627-K	TRAY BASE		120	RML0289	LEVER	
25	RMS0382	SHAFT		121	RM00097	SLIDE PLATE (1)	
26	SDRD14	ROLLER		122	RM00098	SLIDE PLATE (2)	
27	XTW3+6S	SCREW		123	RM00099	SLIDE PLATE (3)	
28	XTBS26+10J	SCREW		124	RMS0398	PLUNGER	
29	XTWS3+10T	SCREW		125	RMX0072	LEVER	
30	RDF0033	MAGNET HOLDER (A)		126	RSJ0003	SOLENOID (PL501)	
31	RHM245ZA	MAGNET		127	SDRD14	ROLLER	
32	RMRO334	MAGNET HOLDER (B)		128	XTB3+10JFZ	SCREW	
33	RMRO624-W	DISC HOLDER		129	RFKJLCH555PB	MECHANISM CHASSIS ASS'Y	
34	RMRO625-W	DISC CLAMPER		130	RAE0111Z	TRAVERSE UNIT ASS'Y	
35	XTB3+6JFZ	SCREW		130A	SHGD112	RUBBER (A)	
36	RMN0195	FL SPACER		130B	SHGD113-1	RUBBER (B)	
37	RMN0213	FL HOLDER		130C	RDV0023	BELT	
38	REZ0554	FLAT CABLE (23P)		130D	SNSD38	SCREW	
39	RFKGLCH555PK	FRONT PANEL ASS'Y		131	RME0109	SPRING	
39-1	RKWO258-V	FL PANEL		132	RMRO533-K	TRAVERSE CHASSIS	
40	XTBS26+8J	SCREW		133	RMS0123-1	PIN (A)	
41	SHE185-2	P. C. B. SPACER		134	RMS0350	PIN (B)	
42	XTBS3+8JFZ1	SCREW		135	XTV2+6G	SCREW	
43	XTB3+16JFZ	SCREW					
44	RGU0860-K	BUTTON,					
45	RGU0861-K	BUTTON,					
46	RMA0691	ANGLE					
47	XTB3+10JFZ	SCREW					

1076